



# Malaguti

IDEE IN MOTO

# PASSWORD

## 250

## EURO 3



### TELAIO - INDICE TAVOLE

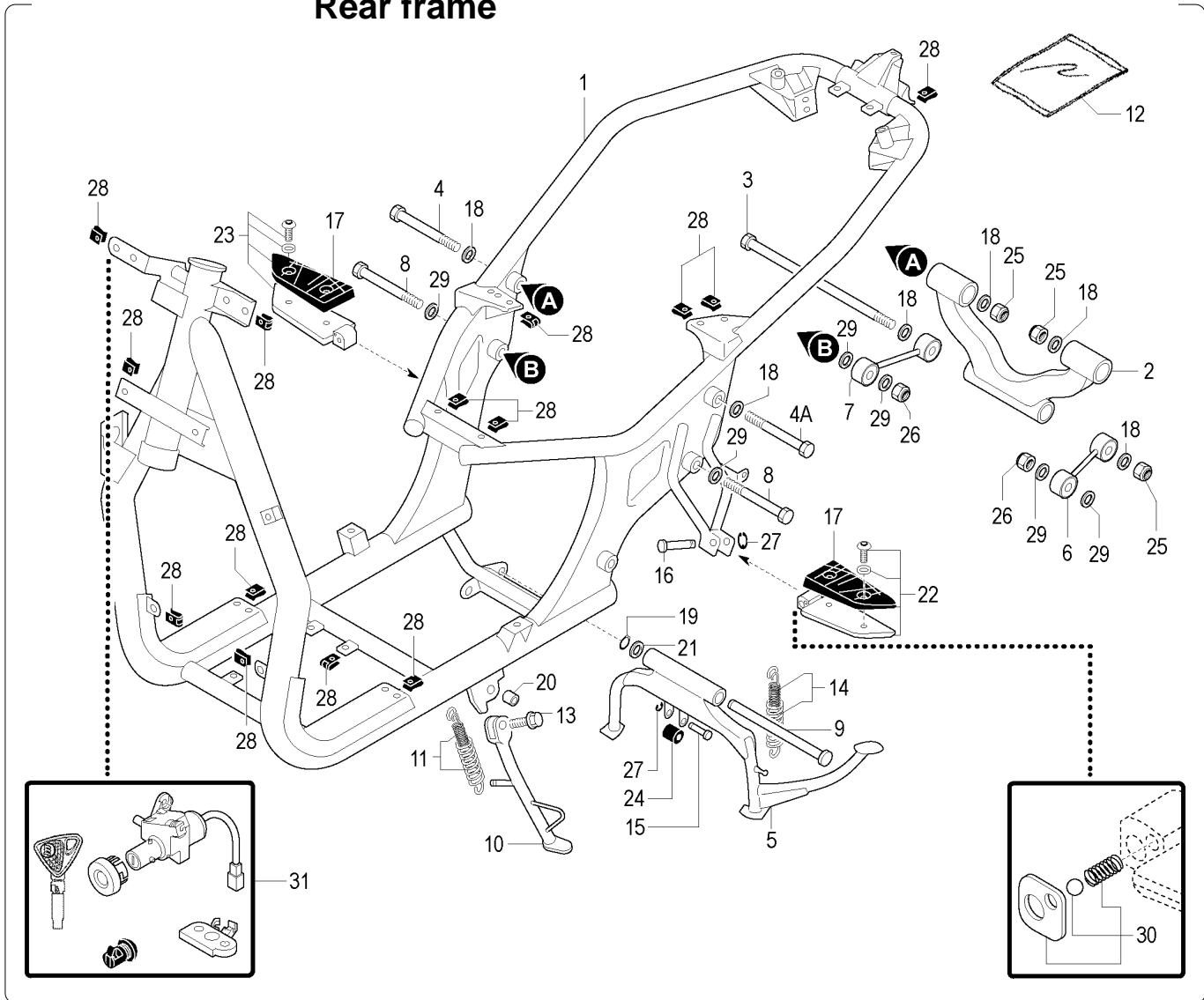
### FRAME - INDEX OF THE TABLES

|                |            |                |                |            |
|----------------|------------|----------------|----------------|------------|
| TAV. A (1)<br> | TAV. B<br> | TAV. C (1)<br> | TAV. D (1)<br> | TAV. E<br> |
| TAV. F<br>     | TAV. G<br> | TAV. H (1)<br> | TAV. I (1)<br> | TAV. L<br> |
| TAV. M<br>     | TAV. N<br> | TAV. OO<br>    | TAV. O (1)<br> |            |

### MOTORE - INDICE TAVOLE

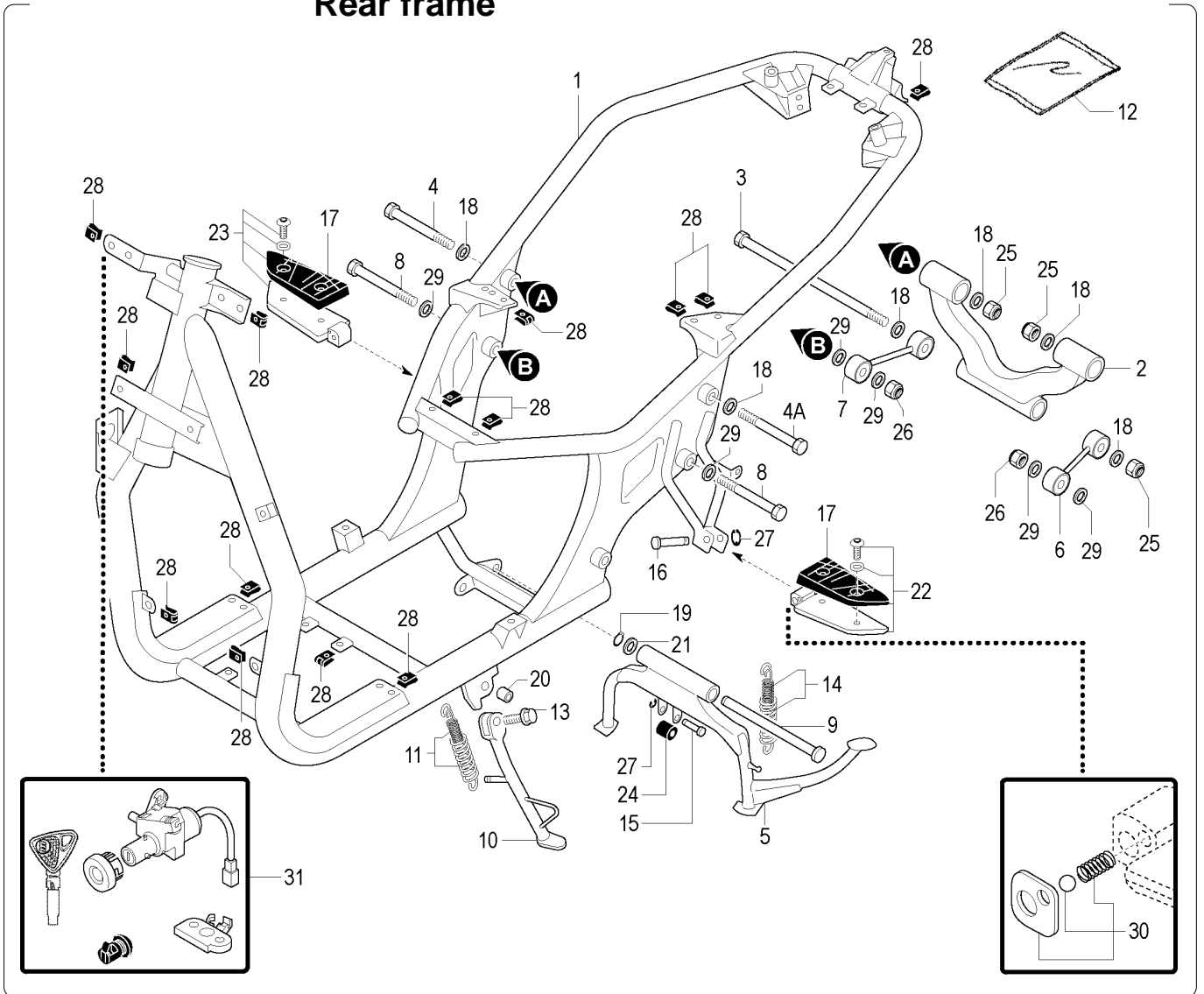
### ENGINE - INDEX OF THE TABLES

|                |             |                |                |                |
|----------------|-------------|----------------|----------------|----------------|
| TAV. R (1)<br> | TAV. R2<br> | TAV. S (1)<br> | TAV. T (1)<br> | TAV. U (1)<br> |
|----------------|-------------|----------------|----------------|----------------|

**Telaio posteriore**  
**Rear frame**


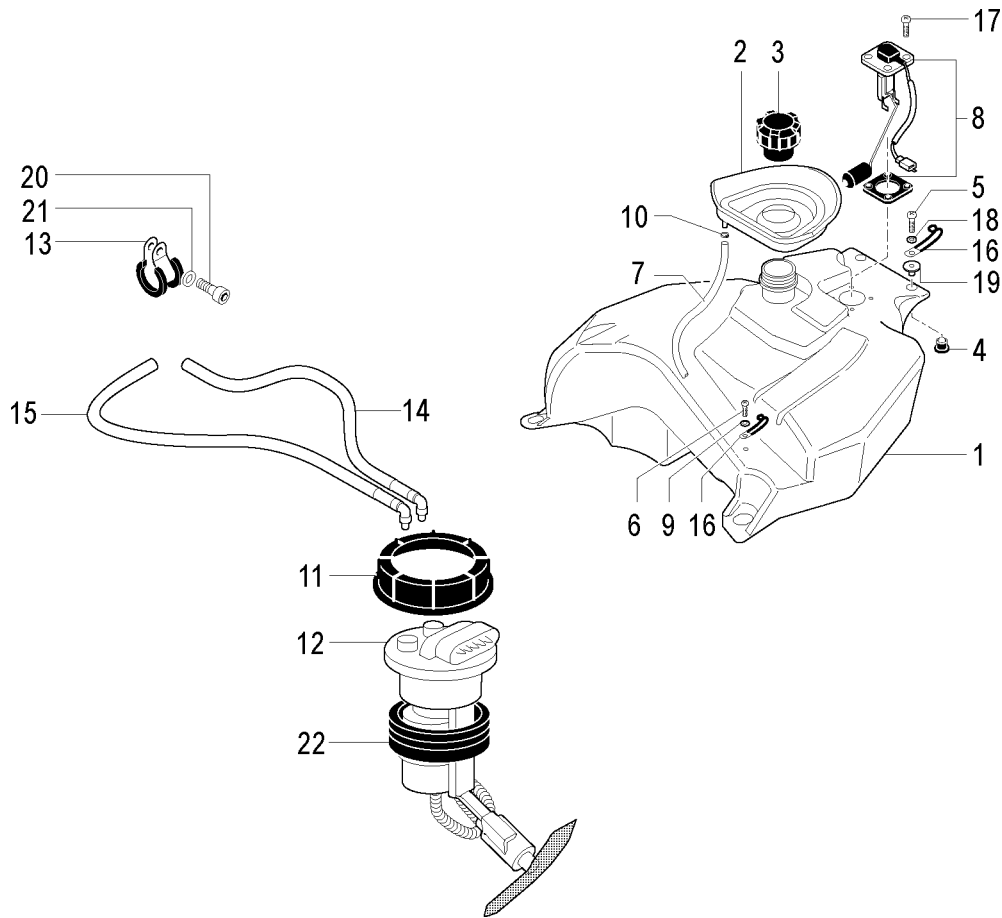
| Nr. | Codice     | Q.tà | Descrizione                        |
|-----|------------|------|------------------------------------|
| 1   | 156.134.99 | 1    | Telaio completo                    |
| 2   | 174.025.99 | 1    | Attacco motore                     |
| 3   | 190.041.13 | 1    | Perno attacco motore inferiore     |
| 4   | 184.202.13 | 1    | Perno attacco motore superiore dx  |
| 4A  | 184.346.13 | 1    | Perno attacco motore superiore sx  |
| 5   | 158.072.99 | 1    | Cavalletto centrale completo       |
| 6   | 079.014.99 | 1    | Biella antivibrazioni sx           |
| 7   | 079.018.99 | 1    | Biella antivibrazioni dx           |
| 8   | 184.275.13 | 2    | Perno attacco biella dx-sx         |
| 9   | 190.076.13 | 1    | Perno cavalletto centrale          |
| 10  | 159.079.99 | 1    | Cavalletto laterale completo       |
| 11  | 147.128.13 | 1    | Doppia molla cavalletto laterale   |
| 12  | 072.175.00 | 1    | Protezione nylon                   |
| 13  | 184.213.14 | 1    | Vite fissaggio cavalletto laterale |
| 14  | 147.109.13 | 1    | Doppia molla cavalletto centrale   |
| 15  | 190.037.00 | 1    | Perno gommino cavalletto           |
| 16  | 190.074.13 | 2    | Perno staffe passeggero            |
| 17  | 072.225.00 | 2    | Kit gomme staffe pedane            |
| 18  | 184.142.13 | 6    | Rondella                           |
| 19  | 184.171.00 | 1    | Seeger cavalletto centrale         |
| 20  | 150.236.14 | 1    | Boccola cavalletto laterale        |
| 21  | 071.330.03 | 1    | Rondella cavalletto centrale       |
| 22  | 084.064.00 | 1    | Kit staffa passeggero sx           |
| 23  | 084.065.00 | 1    | Kit staffa passeggero dx           |
| 24  | 072.116.03 | 1    | Gommino cavalletto centrale        |

| Nr. | Code       | Q.ty | Description                  |
|-----|------------|------|------------------------------|
| 1   | 156.134.99 | 1    | Frame assy                   |
| 2   | 174.025.99 | 1    | Engine mount bracket         |
| 3   | 190.041.13 | 1    | Engine mount pivot lower     |
| 4   | 184.202.13 | 1    | Engine mount pivot upper R/h |
| 4A  | 184.346.13 | 1    | Engine mount pivot upper L/h |
| 5   | 158.072.99 | 1    | Main stand assy              |
| 6   | 079.014.99 | 1    | Engine mount bracket L/h     |
| 7   | 079.018.99 | 2    | Engine mount bracket R/h     |
| 8   | 184.275.13 | 2    | Engine mount pivot R/h-L/h   |
| 9   | 190.076.13 | 1    | Main stand pivot             |
| 10  | 159.079.99 | 1    | Side stand assy              |
| 11  | 147.128.13 | 1    | Side stand spring            |
| 12  | 072.175.00 | 1    | Protection                   |
| 13  | 184.213.14 | 1    | Screw                        |
| 14  | 147.109.13 | 1    | Main stand spring            |
| 15  | 190.037.00 | 1    | Main stand rubber pivot      |
| 16  | 190.074.13 | 2    | Footrest bracket pivot       |
| 17  | 072.225.00 | 2    | Bracket rubber kit           |
| 18  | 184.142.13 | 6    | Washer                       |
| 19  | 184.171.00 | 1    | Seeger                       |
| 20  | 150.236.14 | 1    | Side stand bush              |
| 21  | 071.330.03 | 1    | Washer                       |
| 22  | 084.064.00 | 1    | L/h footrest bracket kit     |
| 23  | 084.065.00 | 1    | R/h footrest bracket kit     |
| 24  | 072.116.03 | 1    | Main stand rubber            |

**Telaio posteriore**
**Rear frame**


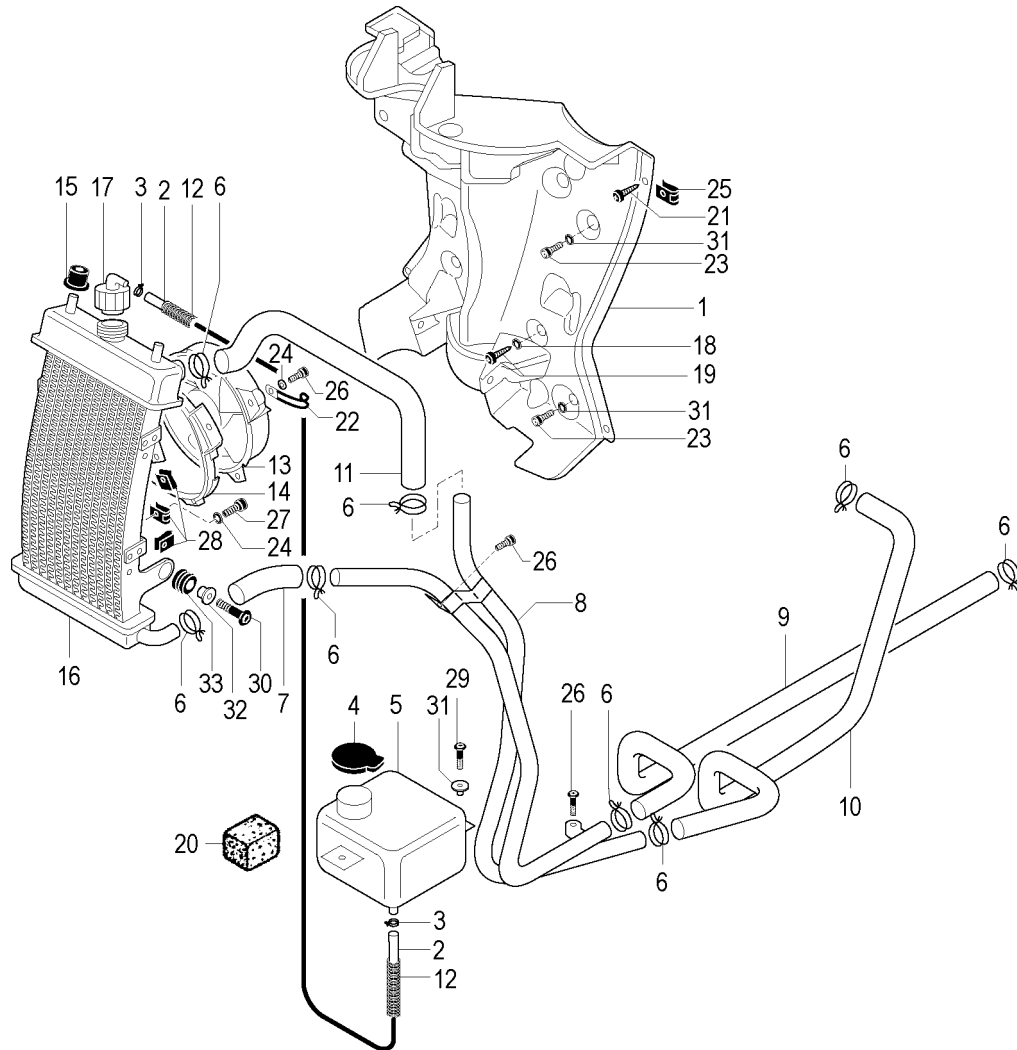
| Nr. | Codice     | Q.tà | Descrizione                  |
|-----|------------|------|------------------------------|
| 25  | 185.025.00 | 3    | Dado attacco motore - biella |
| 26  | 185.012.00 | 2    | Dado biella                  |
| 27  | 184.170.00 | 3    | Seeger                       |
| 28  | 184.201.00 | 20   | Prestola                     |
| 29  | 184.094.13 | 4    | Rondella                     |
| 30  | 150.383.00 | 2    | Kit arresto pedana           |
| 31  | 090.072.00 | 1    | Kit serrature                |

| Nr. | Code       | Q.ty | Description          |
|-----|------------|------|----------------------|
| 25  | 185.025.00 | 3    | Nut                  |
| 26  | 185.012.00 | 2    | Nut                  |
| 27  | 184.170.00 | 3    | Seeger               |
| 28  | 184.201.00 | 20   | Clip                 |
| 29  | 184.094.13 | 4    | Washer               |
| 30  | 150.383.00 | 2    | Footrest stopper kit |
| 31  | 090.072.00 | 1    | Lock set             |

**Serbatoio benzina & pompa benzina**  
**Fuel tank & fuel pump**


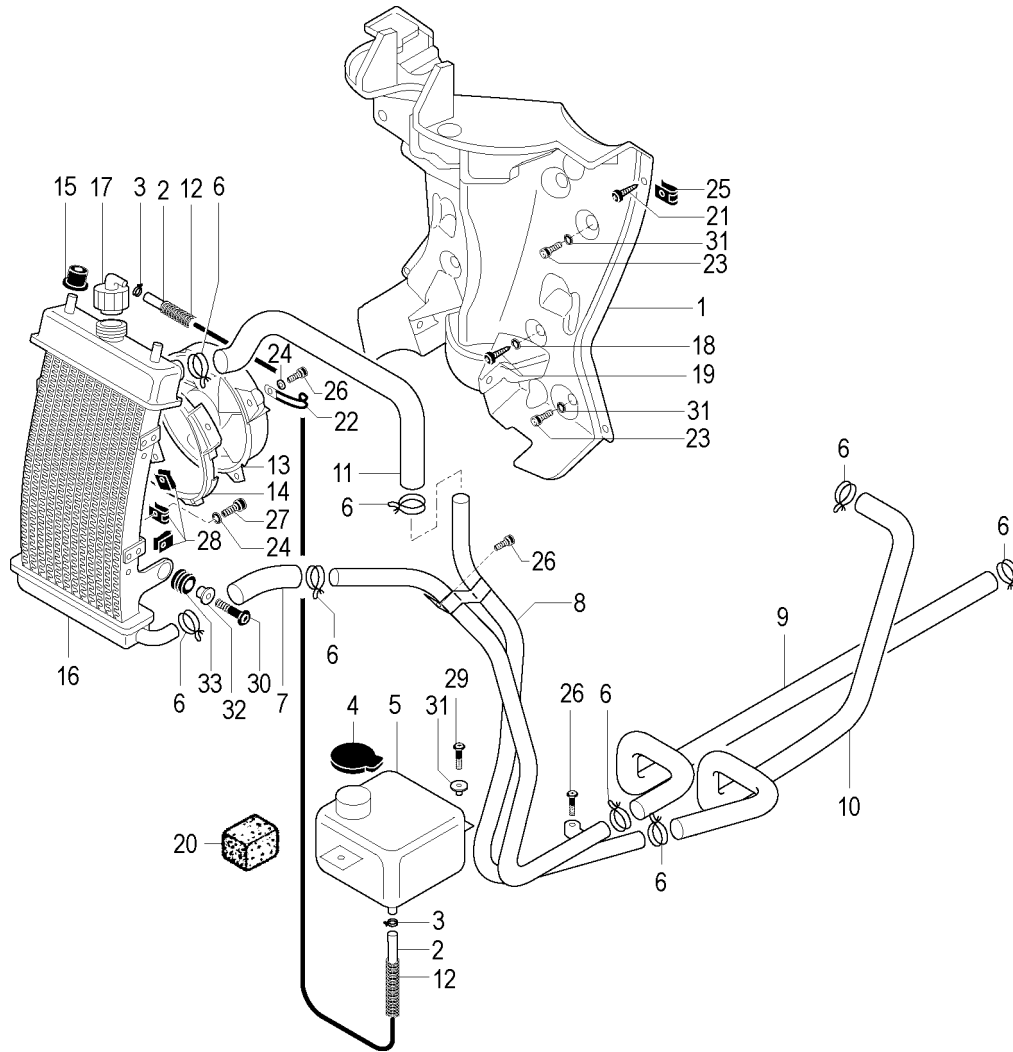
| Nr. | Codice     | Q.tà | Descrizione                          |
|-----|------------|------|--------------------------------------|
| 1   | 161.099.00 | 1    | Serbatoio benzina                    |
| 2   | 071.704.03 | 1    | Vaschetta raccogli gocce             |
| 3   | 092.030.00 | 1    | Tappo serbatoio                      |
| 4   | 075.010.00 | 4    | Gommino antivibrante                 |
| 5   | 184.370.00 | 4    | Vite serbatoio benzina               |
| 6   | 184.034.14 | 2    | Vite                                 |
| 7   | 180.003.59 | 1    | Tubo sfiato                          |
| 8   | 093.087.00 | 1    | Livello benzina                      |
| 9   | 184.079.13 | 2    | Rondella                             |
| 10  | 167.018.13 | 1    | Fascetta                             |
| 11  | 071.838.03 | 1    | Ghiera                               |
| 12  | 093.098.00 | 1    | Pompa benzina                        |
| 12  | 093.104.00 | 1    | Pompa benzina (da telaio 76012001)   |
| 13  | 147.170.13 | 1    | Vincolo tubi iniezione               |
| 14  | 180.097.00 | 1    | Tubo benzina (pompa benz.-iniezione) |
| 14  | 180.112.00 | 1    | Tubo benzina (da telaio 76012001)    |
| 15  | 180.010.71 | 1    | Tubo benzina (filtro-pompa benzina)  |
| 16  | 167.039.00 | 5    | Fascetta                             |
| 17  | 184.009.00 | 4    | Vite livello benzina                 |
| 18  | 184.051.13 | 4    | Rondella                             |
| 19  | 150.306.13 | 4    | Boccola serbatoio benzina            |
| 20  | 184.035.15 | 1    | Vite                                 |
| 21  | 184.079.13 | 1    | Rondella                             |
| 22  | 072.313.00 | 1    | Guarnizione pompa benzina            |

| Nr. | Code       | Q.ty | Description                     |
|-----|------------|------|---------------------------------|
| 1   | 161.099.00 | 1    | Fuel tank                       |
| 2   | 071.704.03 | 1    | Box                             |
| 3   | 092.030.00 | 1    | Fuel tank cap                   |
| 4   | 075.010.00 | 4    | Rubber grommet                  |
| 5   | 184.370.00 | 4    | Screw                           |
| 6   | 184.034.14 | 2    | Screw                           |
| 7   | 180.003.59 | 1    | Breather pipe                   |
| 8   | 093.087.00 | 1    | Fuel level gauge                |
| 9   | 184.079.13 | 2    | Washer                          |
| 10  | 167.018.13 | 1    | Clamp                           |
| 11  | 071.838.03 | 1    | Rim                             |
| 12  | 093.098.00 | 1    | Fuel pump                       |
| 12  | 093.104.00 | 1    | Fuel pump (to frame 76012001)   |
| 13  | 147.170.13 | 1    | Injection pipe bracket          |
| 14  | 180.097.00 | 1    | Fuel pipe (fuel pump-injection) |
| 14  | 180.112.00 | 1    | Fuel pipe (to frame 76012001)   |
| 15  | 180.010.71 | 1    | Fuel pipe (filter-fuel pump)    |
| 16  | 167.039.00 | 5    | Clamp                           |
| 17  | 184.009.00 | 1    | Screw                           |
| 18  | 184.051.13 | 4    | Washer                          |
| 19  | 150.306.13 | 4    | Bush                            |
| 20  | 184.035.15 | 1    | Screw                           |
| 21  | 184.079.13 | 1    | Washer                          |
| 22  | 072.313.00 | 1    | Gasket                          |



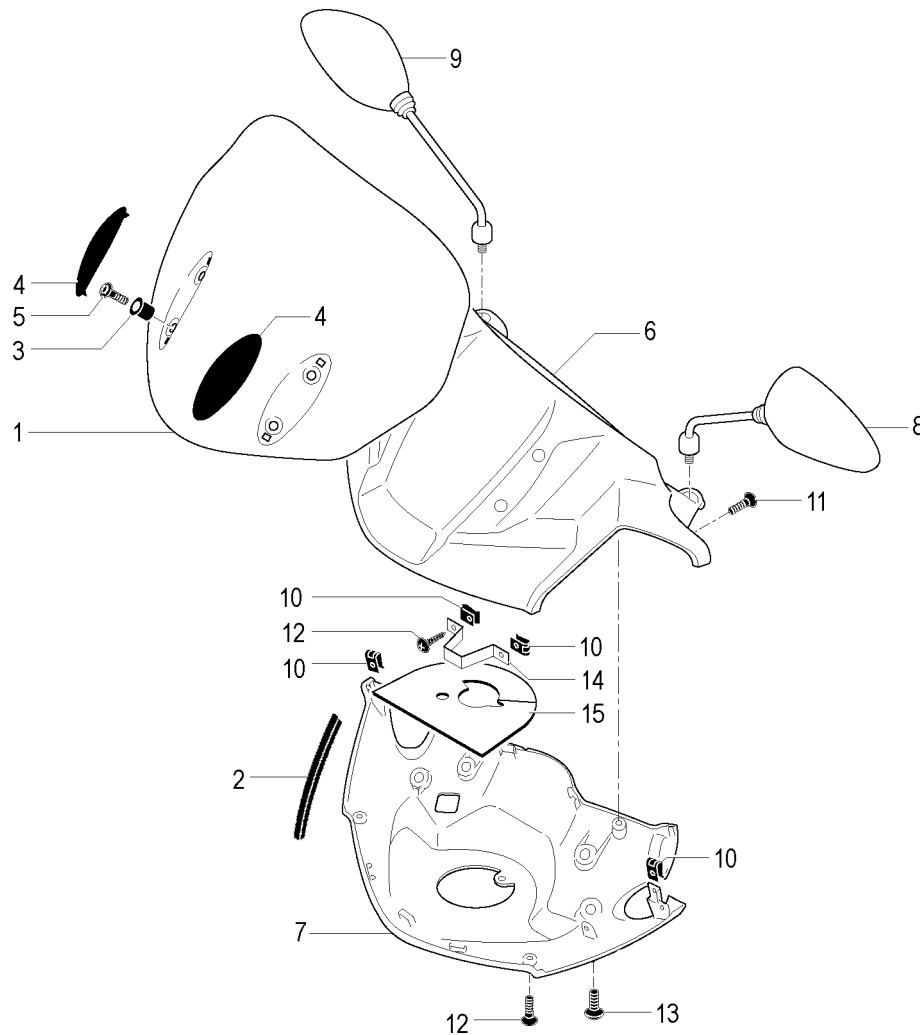
| Nr. | Codice     | Q.tà | Descrizione                           |
|-----|------------|------|---------------------------------------|
| 1   | 071.681.03 | 1    | Paratia supporto radiatore            |
| 2   | 180.081.00 | 1    | Tubo sfiato radiatore                 |
| 3   | 167.018.13 | 2    | Fascetta tubo sfiato                  |
| 4   | 071.144.00 | 1    | Tappo vaso espansione                 |
| 5   | 108.060.00 | 1    | Vaso espansione                       |
| 6   | 167.031.00 | 8    | Fascetta stringitubo                  |
| 7   | 077.071.00 | 1    | Tubo mandata (radiatore-tubo metallo) |
| 8   | 077.075.00 | 1    | Tubi radiatore metallo                |
| 9   | 077.073.00 | 1    | Tubo mandata (tubo metallo-motore)    |
| 10  | 077.074.00 | 1    | Tubo ritorno (motore-tubo metallo)    |
| 11  | 077.072.00 | 1    | Tubo ritorno (tubo metallo-radiatore) |
| 12  | 147.127.13 | 2    | Molla protezione tubo sfiato          |
| 13  | 024.116.00 | 1    | Elettroventola                        |
| 14  | 071.693.00 | 1    | Convogliatore aria ventola            |
| 15  | 075.021.00 | 2    | Silentblock                           |
| 16  | 108.069.00 | 1    | Radiatore                             |
| 17  | 071.219.03 | 1    | Tappo radiatore                       |
| 18  | 184.079.13 | 2    | Rondella                              |
| 19  | 184.390.00 | 2    | Vite                                  |
| 20  | 072.242.00 | 1    | Spugna                                |
| 21  | 184.419.00 | 4    | Vite paratia                          |
| 22  | 167.039.00 | 1    | Fascetta plastificata                 |
| 23  | 184.357.00 | 4    | Vite paratia                          |
| 24  | 184.051.13 | 6    | Rondella                              |
| 25  | 184.007.00 | 4    | Prestola                              |

| Nr. | Code       | Q.ty | Description                  |
|-----|------------|------|------------------------------|
| 1   | 071.681.03 | 1    | Water cooler bracket         |
| 2   | 180.081.00 | 1    | Breather pipe                |
| 3   | 167.018.13 | 2    | Clamp                        |
| 4   | 071.144.00 | 1    | Expansion tank cap           |
| 5   | 108.060.00 | 1    | Expansion cap                |
| 6   | 167.031.00 | 8    | Clamp                        |
| 7   | 077.071.00 | 1    | Water cooler (delivery) pipe |
| 8   | 077.075.00 | 1    | Water cooler metal pipes     |
| 9   | 077.073.00 | 1    | Engine (delivery) pipe       |
| 10  | 077.074.00 | 1    | Engine (return) pipe         |
| 11  | 077.072.00 | 1    | Water cooler (return) pipe   |
| 12  | 147.127.13 | 1    | Pipe spring                  |
| 13  | 024.116.00 | 1    | Electric fan                 |
| 14  | 071.693.00 | 1    | Electric fan conveyor        |
| 15  | 075.021.00 | 2    | Silentblock                  |
| 16  | 108.069.00 | 1    | Water cooler                 |
| 17  | 071.219.03 | 1    | Water cooler cap             |
| 18  | 184.079.13 | 2    | Washer                       |
| 19  | 184.390.00 | 2    | Screw                        |
| 20  | 072.242.00 | 1    | Sponge                       |
| 21  | 184.419.00 | 4    | Screw                        |
| 22  | 167.039.00 | 1    | Clamp                        |
| 23  | 184.357.00 | 4    | Screw                        |
| 24  | 184.051.13 | 6    | Washer                       |
| 25  | 184.007.00 | 4    | Prestola                     |



| Nr. | Codice     | Q.tà | Descrizione                      |
|-----|------------|------|----------------------------------|
| 26  | 184.357.00 | 3    | Vite ventola - tubi radiatore    |
| 27  | 184.369.00 | 3    | Vite convogliatore               |
| 28  | 184.201.00 | 3    | Prestola                         |
| 29  | 184.357.00 | 3    | Vite vaso espansione             |
| 30  | 184.370.00 | 2    | Vite radiatore                   |
| 31  | 150.148.14 | 7    | Boccola vaso espansione-supporto |
| 32  | 150.305.13 | 2    | Boccola radiatore                |
| 33  | 072.161.00 | 2    | Gommino fissaggio radiatore      |

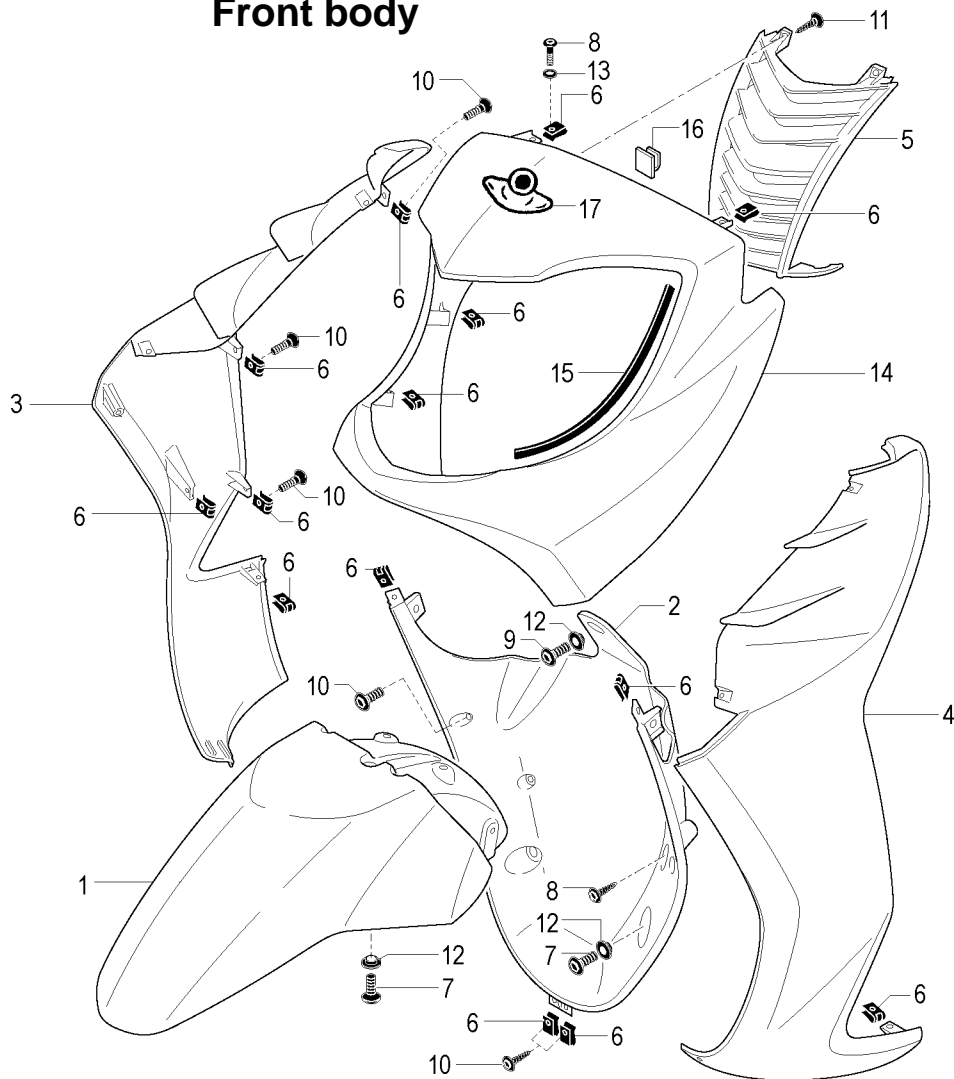
| Nr. | Code       | Q.ty | Description |
|-----|------------|------|-------------|
| 26  | 184.357.00 | 3    | Screw       |
| 27  | 184.369.00 | 3    | Screw       |
| 28  | 184.201.00 | 3    | Prestola    |
| 29  | 184.357.00 | 3    | Screw       |
| 30  | 184.370.00 | 2    | Screw       |
| 31  | 150.148.14 | 7    | Bush        |
| 32  | 150.305.13 | 2    | Bush        |
| 33  | 072.161.00 | 2    | Rubber      |



| Nr. | Codice      | Q.tà | Descrizione                     | Nr. | Code        | Q.ty | Description                   |
|-----|-------------|------|---------------------------------|-----|-------------|------|-------------------------------|
| 1   | 063.258.00  | 1    | Cupolino trasparente            | 1   | 063.258.00  | 1    | Windscreen glass              |
| 2   | 072.124.00  | 1    | Guarnizione                     | 2   | 072.124.00  | 1    | Gasket                        |
| 3   | 075.028.00  | 4    | Boccola antivibrante            | 3   | 075.028.00  | 4    | Bush                          |
| 4   | 071.428.03  | 2    | Coperture fissaggi cupolino     | 4   | 071.428.03  | 2    | Windscreen glass protection   |
| 5   | 184.357.00  | 4    | Vite parabrezza                 | 5   | 184.357.00  | 4    | Screw                         |
| 6   | 071.691. -- | 1    | Coprimanubrio superiore *       | 6   | 071.691. -- | 1    | Handlebar cover (upper) *     |
| 7   | 071.692.03  | 1    | Coprimanubrio inferiore         | 7   | 071.692.03  | 1    | Handlebar cover (lower)       |
| 8   | 088.048.03  | 1    | Specchio sx                     | 8   | 088.048.03  | 1    | L/h mirror                    |
| 9   | 088.049.03  | 1    | Specchio dx                     | 9   | 088.049.03  | 1    | R/h mirror                    |
| 10  | 184.007.00  | 4    | Clips in dacromet               | 10  | 184.007.00  | 4    | Clips                         |
| 11  | 184.419.00  | 2    | Vite coprimanubrio superiore    | 11  | 184.419.00  | 2    | Screw                         |
| 12  | 184.380.00  | 6    | Vite coprimanubrio inferiore    | 12  | 184.380.00  | 6    | Screw                         |
| 13  | 184.090.15  | 4    | Vite coprimanubrio inferiore    | 13  | 184.090.15  | 4    | Screw                         |
| 14  | 191.122.13  | 1    | Piastra fissaggio cruscotto     | 14  | 191.122.13  | 1    | Dashboard bracket             |
| 15  | 071.697.00  | 1    | Protezione paracalore cruscotto | 15  | 071.697.00  | 1    | Dashboard protection          |
| --  | 181.471.00  | 1    | Sr. marche PASSWORD 250 I.E.*   | --  | 181.471.00  | 1    | PASSWORD 250 I.E. label set * |

\* Vedi tavola N° 00 Colori

\* Refer to N° 00 colour table

**Carrozzeria anteriore**
**Front body**


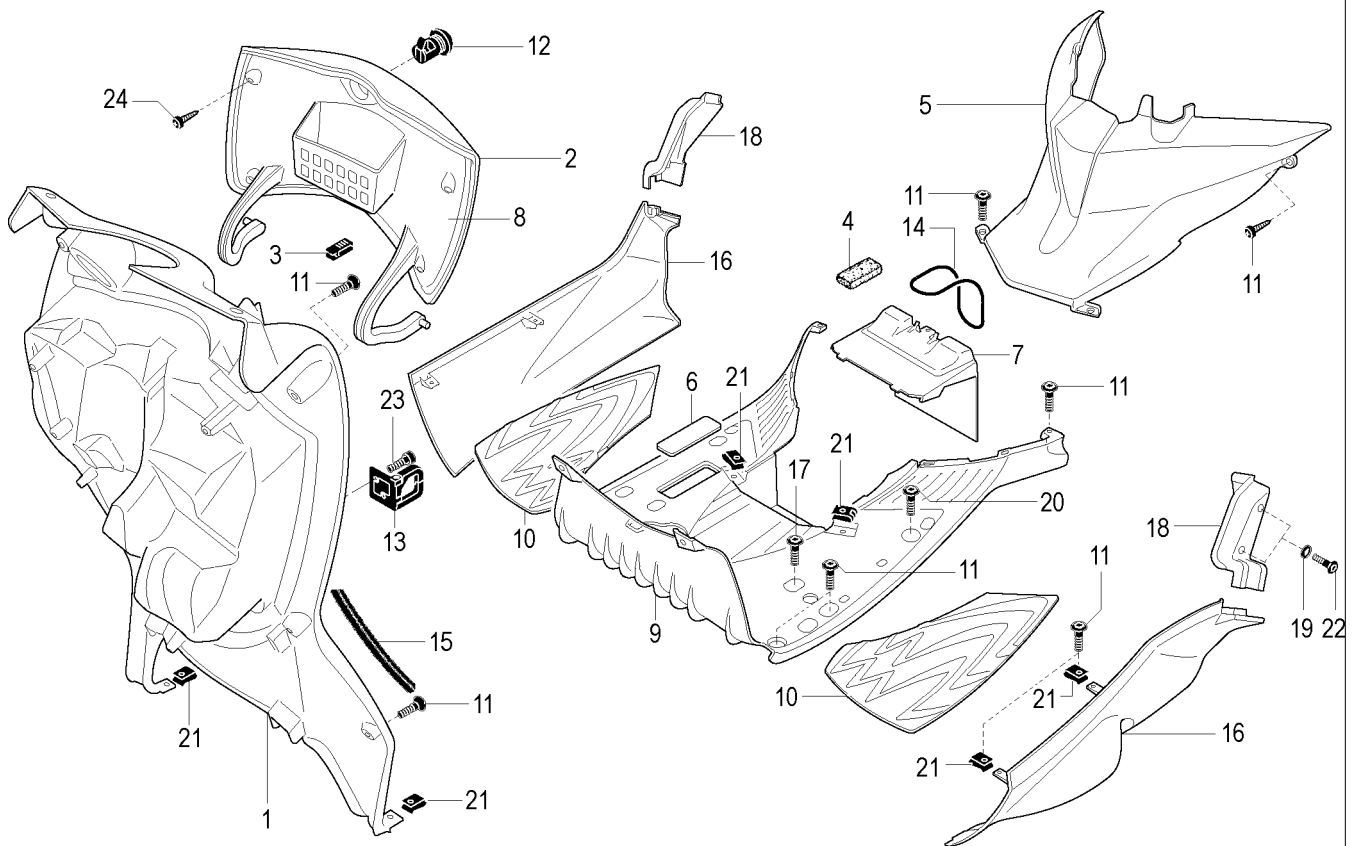
| Nr. | Codice      | Q.tà | Descrizione                    |
|-----|-------------|------|--------------------------------|
| 1   | 055.070. -- | 1    | Parafango anteriore *          |
| 2   | 071.680. -- | 1    | Buca sottoscudo *              |
| 3   | 066.166. -- | 1    | Semiscudo dx *                 |
| 4   | 066.165. -- | 1    | Semiscudo sx *                 |
| 5   | 066.167.16  | 1    | Griglia presa aria             |
| 6   | 184.007.00  | 24   | Prestola                       |
| 7   | 184.357.00  | 6    | Vite parafango - semiscudo     |
| 8   | 184.379.00  | 4    | Vite sottoscudo                |
| 9   | 184.370.00  | 1    | Vite sottoscudo                |
| 10  | 184.419.00  | 20   | Vite sottoscudo                |
| 11  | 184.380.00  | 4    | Vite griglia                   |
| 12  | 150.148.14  | 7    | Boccola                        |
| 13  | 184.079.13  | 2    | Rondella scudo anteriore       |
| 14  | 066.164. -- | 1    | Scudo anteriore *              |
| 15  | 072.233.01  | 2    | Guarnizione                    |
| 16  | 167.070.00  | 1    | Fascetta adesiva               |
| 17  | 181.411.00  | 1    | Scudetto                       |
| --  | 181.471.00  | 1    | Sr. marche PASSWORD 250 I.E. * |

| Nr. | Code        | Q.ty | Description                   |
|-----|-------------|------|-------------------------------|
| 1   | 055.070. -- | 1    | Front mudguard *              |
| 2   | 071.680. -- | 1    | Front shield (lower) *        |
| 3   | 066.166. -- | 1    | R/h shield *                  |
| 4   | 066.165. -- | 1    | L/h shield *                  |
| 5   | 066.167.16  | 1    | Air intake grill              |
| 6   | 184.007.00  | 24   | Prestola                      |
| 7   | 184.357.00  | 6    | Screw                         |
| 8   | 184.379.00  | 4    | Screw                         |
| 9   | 184.370.00  | 1    | Screw                         |
| 10  | 184.419.00  | 20   | Screw                         |
| 11  | 184.380.00  | 4    | Screw                         |
| 12  | 150.148.14  | 7    | Bush                          |
| 13  | 184.079.13  | 2    | Washer                        |
| 14  | 066.164. -- | 1    | Front shield *                |
| 15  | 072.233.01  | 2    | Gasket                        |
| 16  | 167.070.00  | 1    | Clamp                         |
| 17  | 181.411.00  | 1    | Shield                        |
| --  | 181.471.00  | 1    | PASSWORD 250 I.E. label set * |

\* Vedi tavola N° 00 Colori

\* Refer to N° 00 colour table



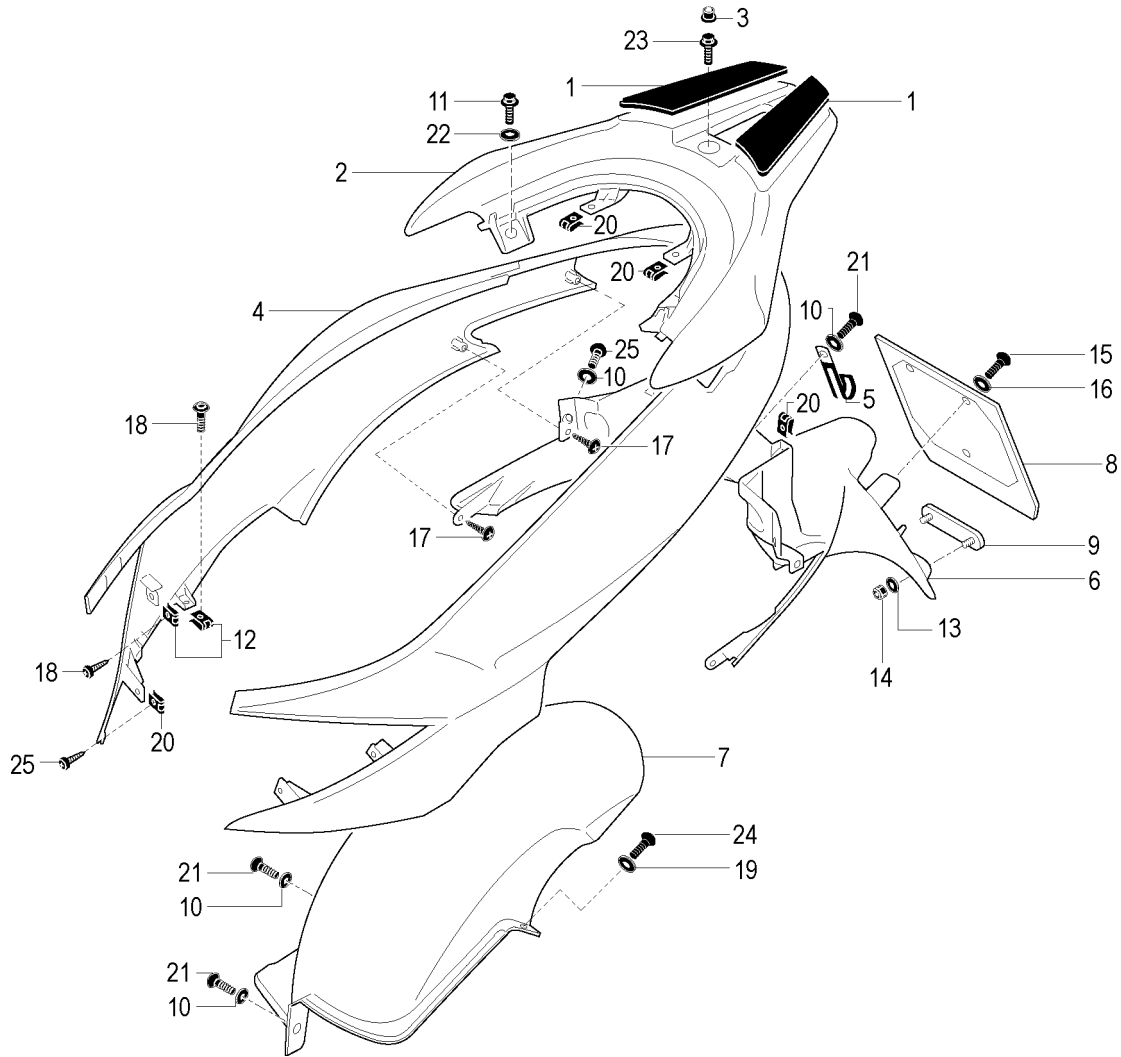


| Nr. | Codice      | Q.tà | Descrizione                        |
|-----|-------------|------|------------------------------------|
| 1   | 065.095.03  | 1    | Paragambe                          |
| 2   | 071.682. -- | 1    | Sportello paragambe *              |
| 3   | 071.389.00  | 1    | Pinzetta fusibili                  |
| 4   | 072.077.00  | 1    | Profilato protezione batteria      |
| 5   | 071.684.03  | 1    | Copritunnel vano batteria          |
| 6   | 071.145.03  | 1    | Coperchio numeri telaio            |
| 7   | 071.685.03  | 1    | Coperchio vano batteria            |
| 8   | 071.683.03  | 1    | Controportello interno paragambe   |
| 9   | 064.041.03  | 1    | Pedana in plastica                 |
| 10  | 064.042.03  | 1    | Kit pedane in gomma                |
| 11  | 184.419.00  | 20   | Vite copritunnel-paragambe-puntoni |
| 12  | 090.024.00  | 1    | Serratura sportello paragambe      |
| 13  | 071.182.03  | 1    | Gancio porta borsa                 |
| 14  | 072.167.00  | 1    | Elastico fissaggio batteria        |
| 15  | 072.233.00  | 1    | Guarnizione paragambe              |
| 16  | 063.265. -- | 1    | Kit puntoni laterali *             |
| 17  | 184.357.00  | 2    | Vite                               |
| 18  | 072.243.00  | 1    | Kit copri pedalini                 |
| 19  | 184.079.13  | 4    | Rondella                           |
| 20  | 184.359.00  | 2    | Vite pedana                        |
| 21  | 184.007.00  | 10   | Prestola                           |
| 22  | 184.379.00  | 4    | Vite copri pedalini                |
| 23  | 184.104.13  | 2    | Vite gancio porta borsa            |
| 24  | 184.380.00  | 6    | Vite controportello interno        |
| --  | 181.471.00  | 1    | Sr. marche PASSWORD 250 I.E. *     |

| Nr. | Code        | Q.ty | Description                   |
|-----|-------------|------|-------------------------------|
| 1   | 065.095.03  | 1    | Inner shield                  |
| 2   | 071.682. -- | 1    | Glove box cover *             |
| 3   | 071.389.00  | 1    | Fuse plier                    |
| 4   | 072.077.00  | 1    | Battery protection            |
| 5   | 071.684.03  | 1    | Battery box cover             |
| 6   | 071.145.03  | 1    | VIN numbers cover             |
| 7   | 071.685.03  | 1    | Battery box cover             |
| 8   | 071.683.03  | 1    | Inner shield (internal side)  |
| 9   | 064.041.03  | 1    | Footboard panel               |
| 10  | 064.042.03  | 1    | Mat panel kit                 |
| 11  | 184.419.00  | 2    | Screw                         |
| 12  | 090.024.00  | 1    | Glove box lock                |
| 13  | 071.182.03  | 1    | Bag handle                    |
| 14  | 072.167.00  | 1    | Battery fixing belt           |
| 15  | 072.233.00  | 1    | Inner shield gasket           |
| 16  | 063.265. -- | 1    | Side bumper set *             |
| 17  | 184.357.00  | 2    | Screw                         |
| 18  | 072.243.00  | 1    | Footrest cover kit            |
| 19  | 184.079.13  | 4    | Washer                        |
| 20  | 184.359.00  | 2    | Screw                         |
| 21  | 184.007.00  | 10   | Prestola                      |
| 22  | 184.379.00  | 4    | Screw                         |
| 23  | 184.104.13  | 2    | Screw                         |
| 24  | 184.380.00  | 3    | Screw                         |
| --  | 181.471.00  | 1    | PASSWORD 250 I.E. label set * |

\* Vedi tavola N° 00 Colori

\* Refer to N° 00 colour table

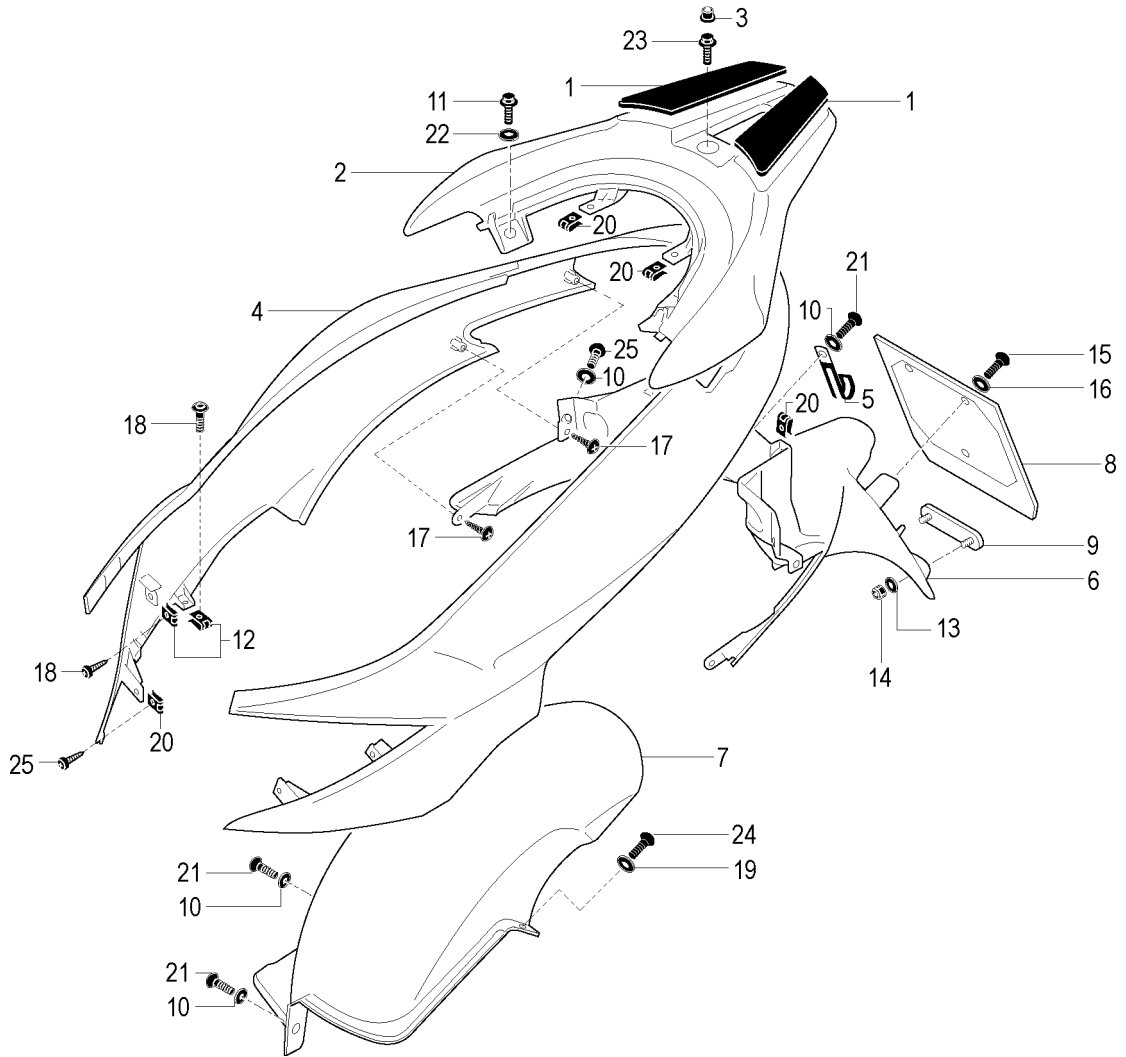


| Nr. | Codice       | Q.tà | Descrizione                   |
|-----|--------------|------|-------------------------------|
| 1   | 071.686.03   | 2    | Coperchio maniglia posteriore |
| 2   | 063.257.03   | 1    | Maniglia posteriore           |
| 3   | 072.241.00   | 1    | Copridado maniglia posteriore |
| 4   | 063.253. - - | 1    | Carena posteriore *           |
| 5   | 167.039.00   | 1    | Fascetta                      |
| 6   | 063.252.03   | 1    | Codino portatarga             |
| 7   | 056.080.03   | 1    | Copriruota posteriore         |
| 8   | 008.006.00   | 1    | Portatarga                    |
| 9   | 071.322.00   | 1    | Catadiottro rosso             |
| 10  | 150.148.14   | 6    | Boccola                       |
| 11  | 184.213.14   | 2    | Vite maniglia                 |
| 12  | 184.007.00   | 4    | Prestola                      |
| 13  | 184.045.13   | 2    | Rondella                      |
| 14  | 184.302.13   | 2    | Dado                          |
| 15  | 184.390.00   | 3    | Vite portatarga               |
| 16  | 184.046.14   | 3    | Rondella                      |
| 17  | 184.380.00   | 4    | Vite interno carena           |
| 18  | 184.419.00   | 4    | Vite carena                   |
| 19  | 184.079.13   | 2    | Rondella                      |
| 20  | 184.201.00   | 6    | Prestola                      |
| 21  | 184.357.00   | 4    | Vite copriruota               |
| 22  | 184.094.13   | 2    | Rondella                      |
| 23  | 184.214.14   | 1    | Vite maniglia                 |

| Nr. | Code         | Q.ty | Description         |
|-----|--------------|------|---------------------|
| 1   | 071.686.03   | 2    | Rear handle cover   |
| 2   | 063.257.03   | 1    | Rear handle         |
| 3   | 072.241.00   | 1    | Nut cover           |
| 4   | 063.253. - - | 1    | Rear fairing *      |
| 5   | 167.039.00   | 1    | Clamp               |
| 6   | 063.252.03   | 1    | Mudflap tail        |
| 7   | 056.080.03   | 1    | Rear mudguard       |
| 8   | 008.006.00   | 1    | Number plate holder |
| 9   | 071.322.00   | 1    | Red reflector       |
| 10  | 150.148.14   | 6    | Bush                |
| 11  | 184.213.14   | 2    | Screw               |
| 12  | 184.007.00   | 4    | Prestola            |
| 13  | 184.045.13   | 2    | Washer              |
| 14  | 184.302.13   | 2    | Nut                 |
| 15  | 184.390.00   | 3    | Screw               |
| 16  | 184.046.14   | 3    | Washer              |
| 17  | 184.380.00   | 4    | Screw               |
| 18  | 184.419.00   | 4    | Screw               |
| 19  | 184.079.13   | 2    | Washer              |
| 20  | 184.201.00   | 6    | Prestola            |
| 21  | 184.357.00   | 4    | Screw               |
| 22  | 184.094.13   | 2    | Washer              |
| 23  | 184.214.14   | 1    | Screw               |

\* Vedi tavola N° 00 Colori

\* Refer to N° 00 colour table

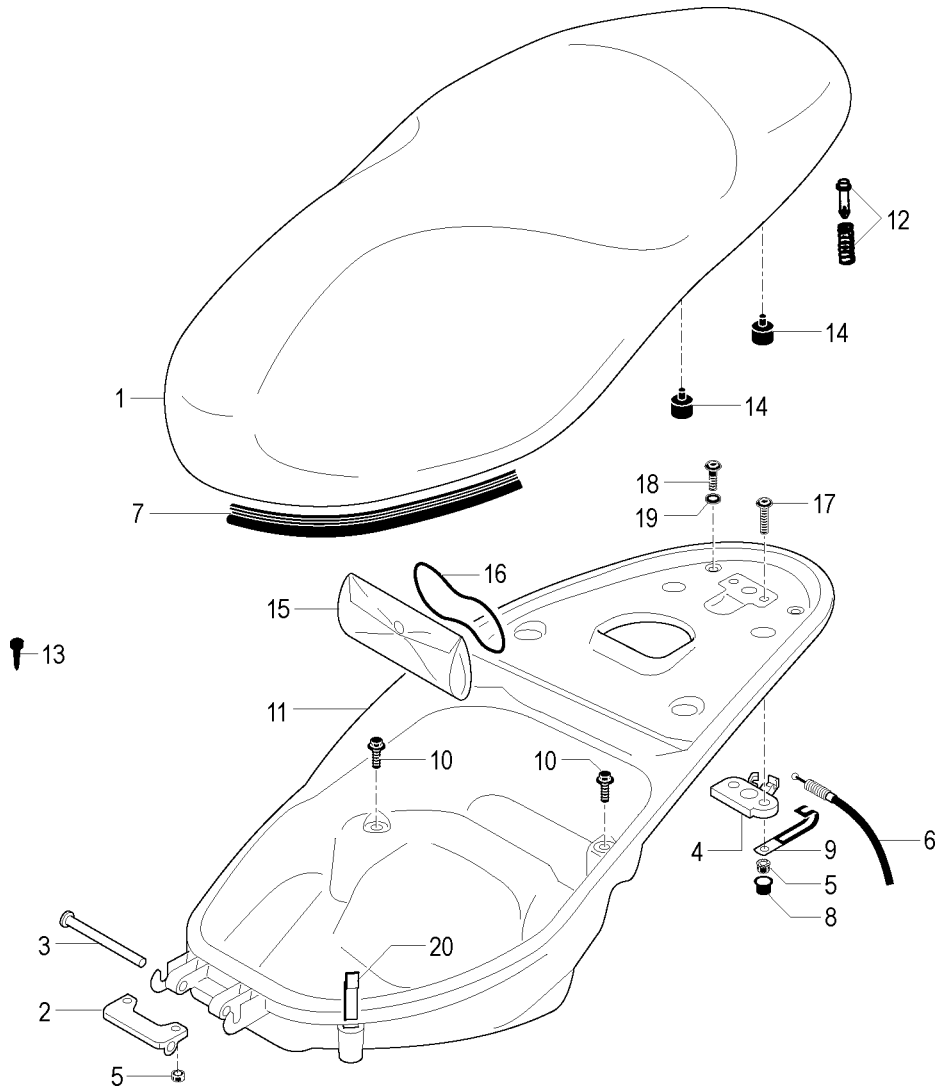


| Nr. | Codice     | Q.tà | Descrizione                    |
|-----|------------|------|--------------------------------|
| 24  | 184.379.00 | 2    | Vite copriruota                |
| 25  | 184.359.00 | 4    | Vite carena                    |
| --  | 181.471.00 | 1    | Sr. marche PASSWORD 250 I.E. * |

| Nr. | Code       | Q.ty | Description                   |
|-----|------------|------|-------------------------------|
| 24  | 184.379.00 | 2    | Screw                         |
| 25  | 184.359.00 | 4    | Screw                         |
| --  | 181.471.00 | 1    | PASSWORD 250 I.E. label set * |

\* Vedi tavola N° 00 Colori

\* Refer to N° 00 colour table

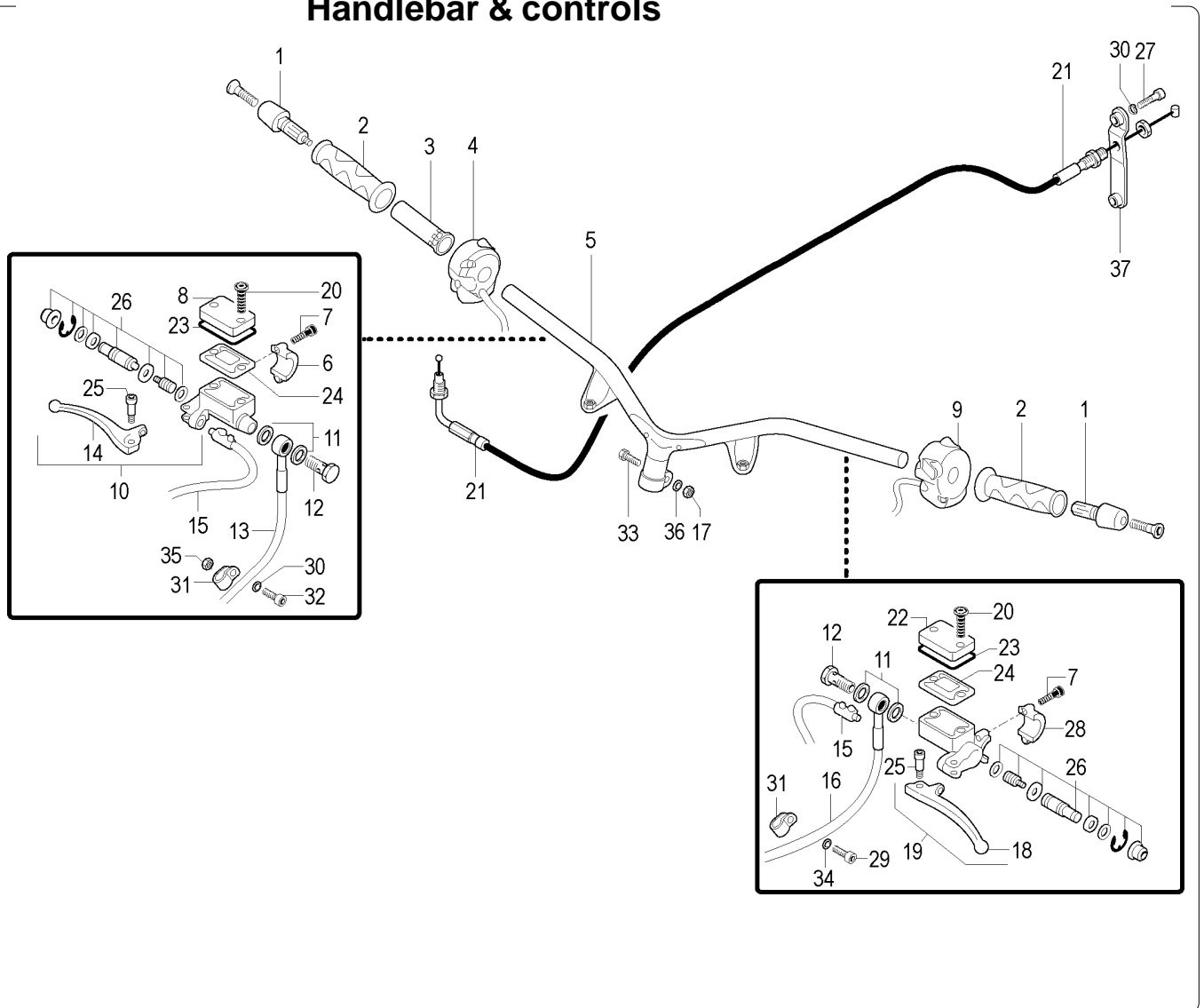


| Nr. | Codice       | Q.tà | Descrizione                      |
|-----|--------------|------|----------------------------------|
| 1   | 106.108. - - | 1    | Sellone anteriore *              |
| 2   | 188.040.99   | 1    | Supporto sella                   |
| 3   | 150.174.13   | 1    | Fulcro sella                     |
| 4   | 090.039.00   | 1    | Levismo apertura sella           |
| 5   | 185.036.00   | 4    | Dado                             |
| 6   | 035.029.00   | 1    | Kit trasmissioni apertura sella  |
| 7   | 072.196.03   | 1    | Guarnizione sella                |
| 8   | 072.171.00   | 2    | Copridado                        |
| 9   | 167.039.00   | 1    | Fascetta                         |
| 10  | 190.022.00   | 4    | Vite fissaggio vano casco        |
| 11  | 065.125.03   | 1    | Vano casco completo              |
| 12  | 071.373.00   | 1    | Push-up apertura sella           |
| 13  | 071.636.03   | 5    | Bottoni protezione vano casco    |
| 14  | 072.194.00   | 4    | Gommino battuta posteriore sella |
| 15  | 086.096.00   | 1    | Trousse attrezzi                 |
| 16  | 072.167.00   | 1    | Elastico ferma trousses          |
| 17  | 184.370.00   | 2    | Vite serratura sella             |
| 18  | 184.357.00   | 2    | Vite fissaggio vano casco        |
| 19  | 184.265.13   | 2    | Rondella                         |
| 20  | 191.144.15   | 1    | Gancio attacco casco             |

| Nr. | Code         | Q.ty | Description          |
|-----|--------------|------|----------------------|
| 1   | 106.108. - - | 1    | Front seat *         |
| 2   | 188.040.99   | 1    | Seat hinge bracket   |
| 3   | 150.174.13   | 1    | Seat pivot           |
| 4   | 090.039.00   | 1    | Seat lock            |
| 5   | 185.036.00   | 4    | Nut                  |
| 6   | 035.029.00   | 1    | Seat lock cable kit  |
| 7   | 072.196.03   | 1    | Seat gasket          |
| 8   | 072.171.00   | 2    | Nut cover            |
| 9   | 167.039.00   | 1    | Clamp                |
| 10  | 190.022.00   | 4    | Screw                |
| 11  | 065.125.03   | 1    | Helmet holder        |
| 12  | 071.373.00   | 1    | Push-up              |
| 13  | 071.636.03   | 5    | Helmet holder button |
| 14  | 072.194.00   | 4    | Seat rubber          |
| 15  | 086.096.00   | 1    | Tool kit             |
| 16  | 072.167.00   | 1    | Tool kit fixing belt |
| 17  | 184.370.00   | 2    | Screw                |
| 18  | 184.357.00   | 2    | Screw                |
| 19  | 184.265.13   | 2    | Washer               |
| 20  | 191.144.15   | 1    | Helmet hook          |

\* Vedi tavola N° 00 Colori

\* Refer to N° 00 colour table

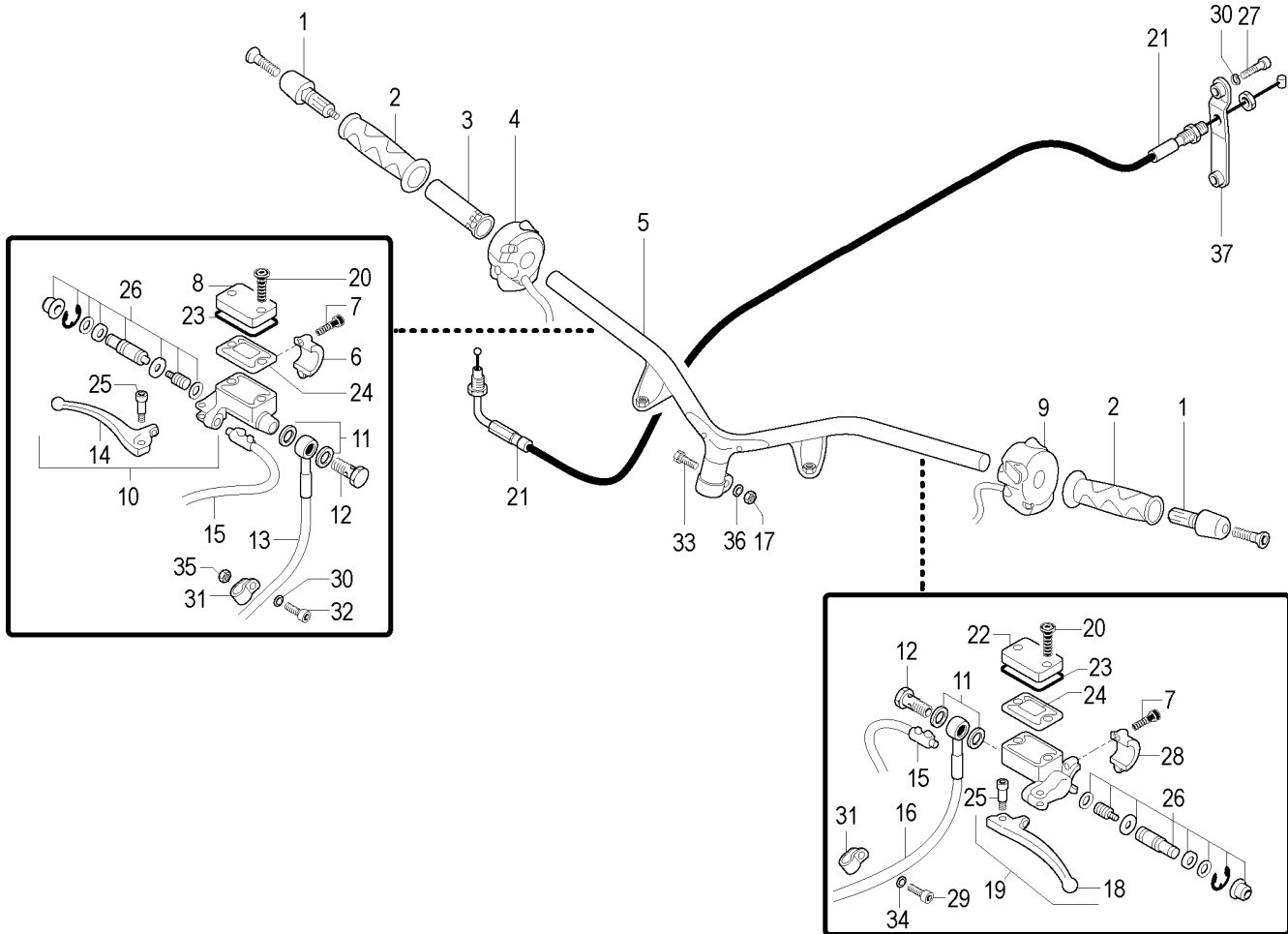


| Nr. | Codice | Q.tà | Descrizione |
|-----|--------|------|-------------|
|-----|--------|------|-------------|

|    |            |   |  |
|----|------------|---|--|
| 1  | 163.002.03 | 2 | Contrappesi manubrio                   |
| 2  | 097.020.03 | 1 | Kit manopole sx / dx                   |
| 3  | 027.014.00 | 1 | Tubo comando gas                       |
| 4  | 020.054.00 | 1 | Commutatore dx                         |
| 5  | 162.052.13 | 1 | Manubrio                               |
| 6  | 121.151.00 | 1 | Attacco pompa dx                       |
| 7  | 184.247.00 | 4 | Vite morsetto                          |
| 8  | 121.182.00 | 1 | Coperchio pompa dx                     |
| 9  | 020.049.00 | 1 | Commutatore luci sx                    |
| 10 | 030.040.03 | 1 | Pompa freno dx completa di leva        |
| 11 | 190.006.00 | 4 | Rasamento                              |
| 12 | 150.024.14 | 2 | Vite trasmissione idraulica            |
| 13 | 033.069.00 | 1 | Trasmissione pompa dx - pinza ant.sx   |
| 14 | 121.143.03 | 1 | Leva freno dx                          |
| 15 | 021.018.00 | 2 | Interruttore stop                      |
| 16 | 033.070.00 | 1 | Trasmissione pompa sx - pinza post. dx |
| 17 | 184.056.13 | 1 | Dado                                   |
| 18 | 121.143.03 | 1 | Leva freno sx                          |
| 19 | 030.026.03 | 1 | Pompa freno sx completa di leva        |
| 20 | 184.179.00 | 4 | Vite coperchio pompa                   |
| 21 | 034.154.03 | 1 | Trasmissione gas (apertura)            |
| 22 | 121.182.00 | 1 | Coperchio pompa sx                     |
| 23 | 121.141.00 | 2 | Scodellino coperchio pompa             |
| 24 | 121.099.00 | 2 | Guarnizione pompa                      |
| 25 | 121.106.00 | 2 | Vite fulcro leva                       |

| Nr. | Code | Q.ty | Description |
|-----|------|------|-------------|
|-----|------|------|-------------|

|    |            |   |                                      |
|----|------------|---|--------------------------------------|
| 1  | 163.002.03 | 2 | Bar end set                          |
| 2  | 097.020.03 | 1 | Handgrip set                         |
| 3  | 027.014.00 | 1 | Twistgrip                            |
| 4  | 020.054.00 | 1 | R/h switch                           |
| 5  | 162.052.13 | 1 | Handlebar                            |
| 6  | 121.151.00 | 1 | R/h front brake pump clamp           |
| 7  | 184.247.00 | 4 | Screw                                |
| 8  | 121.182.00 | 1 | R/h pump cover                       |
| 9  | 020.049.00 | 1 | L/h switch                           |
| 10 | 030.040.03 | 1 | R/h brake pump assy                  |
| 11 | 190.006.00 | 4 | Copper banjo washer                  |
| 12 | 150.024.14 | 2 | Brake hose bolt                      |
| 13 | 033.069.00 | 1 | Cable (r/h pump - l/h front caliper) |
| 14 | 121.143.03 | 1 | R/h brake lever                      |
| 15 | 021.018.00 | 2 | Stop switch                          |
| 16 | 033.070.00 | 1 | Cable (l/h pump - r/h rear caliper)  |
| 17 | 184.056.13 | 1 | Nut                                  |
| 18 | 121.143.03 | 1 | L/h brake lever                      |
| 19 | 030.026.03 | 1 | L/h brake pump assy                  |
| 20 | 184.179.00 | 4 | Screw                                |
| 21 | 034.154.03 | 1 | Throttle cable (opening)             |
| 22 | 121.182.00 | 1 | L/h pump cover                       |
| 23 | 121.141.00 | 2 | Pump top seal                        |
| 24 | 121.099.00 | 2 | Pump gasket                          |
| 25 | 121.106.00 | 2 | Lever bolt                           |

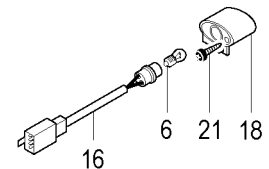
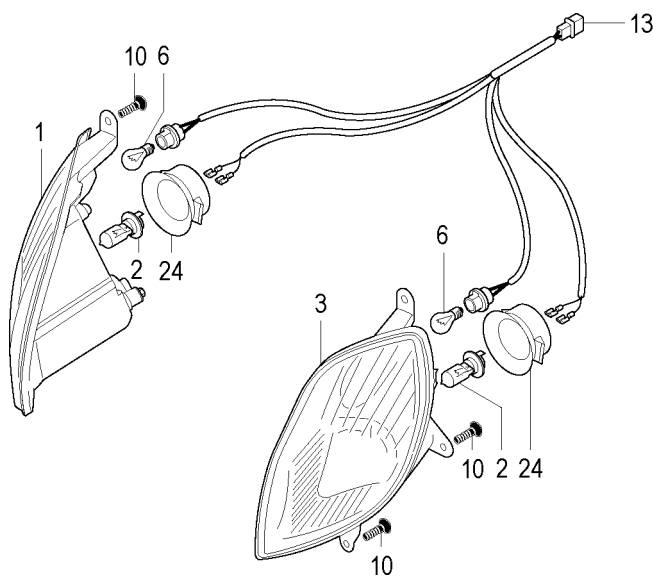
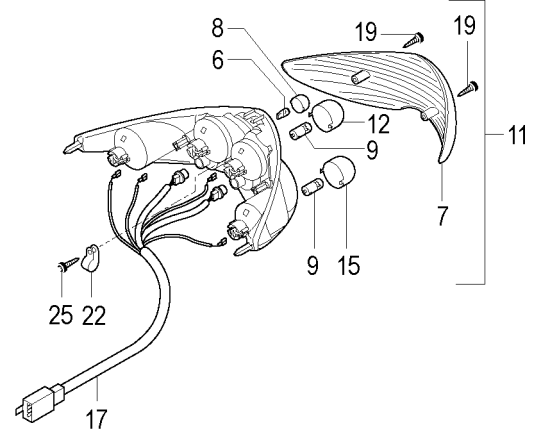
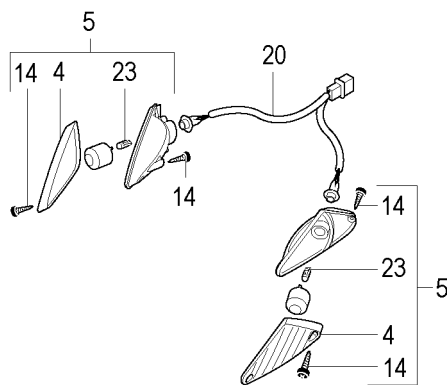


| Nr. | Codice | Q.tà | Descrizione |
|-----|--------|------|-------------|
|-----|--------|------|-------------|

|    |            |   |                               |
|----|------------|---|-------------------------------|
| 26 | 121.144.03 | 2 | Pistone pompa                 |
| 27 | 184.117.13 | 2 | Vite staffa                   |
| 28 | 121.152.00 | 1 | Attacco pompa sx              |
| 29 | 184.357.00 | 2 | Vite fascetta                 |
| 30 | 184.051.13 | 3 | Rondella                      |
| 31 | 167.038.00 | 3 | Fascetta                      |
| 32 | 184.359.00 | 1 | Vite fascetta                 |
| 33 | 150.179.13 | 1 | Vite manubrio                 |
| 34 | 150.148.14 | 1 | Boccola                       |
| 35 | 185.036.00 | 1 | Dado                          |
| 36 | 184.094.13 | 1 | Rondella                      |
| 37 | 191.151.13 | 1 | Staffa fissaggio trasmissioni |

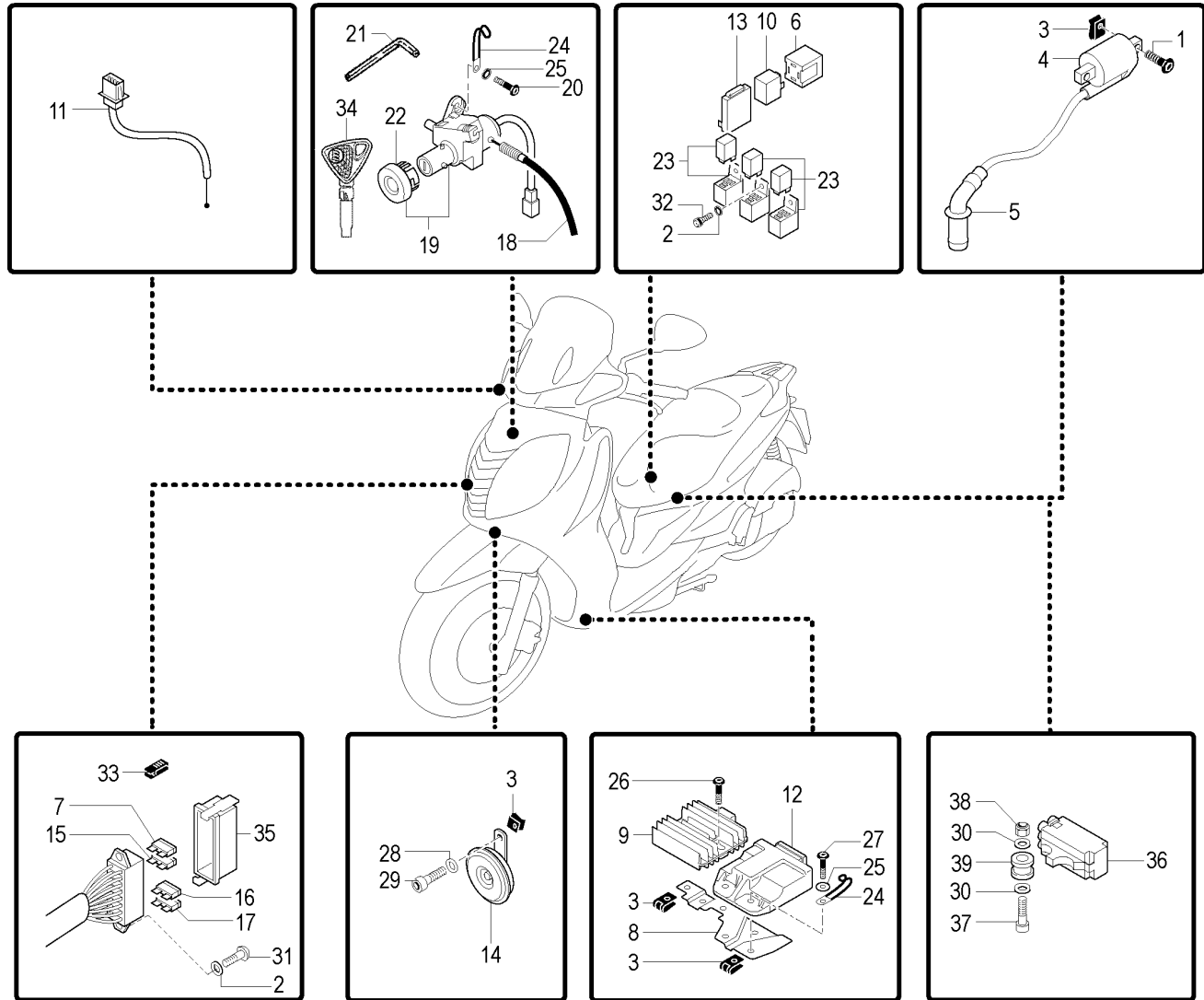
| Nr. | Code | Q.ty | Description |
|-----|------|------|-------------|
|-----|------|------|-------------|

|    |            |   |                               |
|----|------------|---|-------------------------------|
| 26 | 121.144.03 | 2 | Master cylinder set           |
| 27 | 184.117.13 | 2 | Screw                         |
| 28 | 121.152.00 | 1 | L/h front brake pump clamp    |
| 29 | 184.357.00 | 2 | Screw                         |
| 30 | 184.051.13 | 3 | Washer                        |
| 31 | 167.038.00 | 3 | Clamp                         |
| 32 | 184.359.00 | 1 | Screw                         |
| 33 | 150.179.13 | 1 | Screw                         |
| 34 | 150.148.14 | 1 | Bush                          |
| 35 | 185.036.00 | 1 | Nut                           |
| 36 | 184.094.13 | 1 | Washer                        |
| 37 | 191.151.13 | 1 | Throttle cable fixing bracket |

**Impianto elettrico**  
**Electrical devices**


| Nr. | Codice     | Q.tà | Descrizione                            |
|-----|------------|------|--|
| 1   | 015.065.00 | 1    | Faro anteriore dx                      |
| 2   | 022.100.00 | 2    | Lampada HS1 12 V - 35+35 W             |
| 3   | 015.064.00 | 1    | Faro anteriore sx                      |
| 4   | 019.093.00 | 2    | Vetro indicatori anteriori             |
| 5   | 019.092.00 | 2    | Indicatori anteriori                   |
| 6   | 022.050.00 | 5    | Lampada luce di posizione 12 V - 5 W   |
| 7   | 016.087.00 | 1    | Vetro fanale posteriore                |
| 8   | 016.084.00 | 2    | Coppetta interna luci posizione        |
| 9   | 022.017.00 | 4    | Lampada 12 V - 10 W                    |
| 10  | 184.419.00 | 6    | Vite fari anteriori                    |
| 11  | 016.082.00 | 1    | Fanale posteriore                      |
| 12  | 016.085.00 | 2    | Coppetta interna luce stop             |
| 13  | 017.419.00 | 1    | Cablaggio fari anteriori               |
| 14  | 184.151.15 | 4    | Vite indicatori direzione              |
| 15  | 016.086.00 | 2    | Coppetta interna indicatori posteriori |
| 16  | 017.421.00 | 1    | Cablaggio luce targa                   |
| 17  | 017.417.00 | 1    | Cablaggio fanale posteriore            |
| 18  | 016.071.00 | 1    | Fanale targa                           |
| 19  | 184.138.00 | 2    | Vite fanale posteriore                 |
| 20  | 017.420.00 | 1    | Cablaggio indicatori anteriori         |
| 21  | 184.380.00 | 1    | Vite luce targa                        |
| 22  | 167.077.00 | 1    | Fascetta ferma cablaggio               |
| 23  | 022.102.00 | 2    | Lampada 12 V - 16 W                    |
| 24  | 072.220.00 | 2    | Cappuccio faro                         |
| 25  | 184.092.00 | 1    | Vite fascetta                          |

| Nr. | Code       | Q.ty | Description                  |
|-----|------------|------|------------------------------|
| 1   | 015.065.00 | 1    | R/h headlight assy           |
| 2   | 022.100.00 | 2    | HS1 12 V - 35 / 35 W bulb    |
| 3   | 015.064.00 | 1    | L/h headlight assy           |
| 4   | 019.093.00 | 2    | Front indicators bulb socket |
| 5   | 019.092.00 | 2    | Front indicators assy        |
| 6   | 022.050.00 | 5    | 12 V - 5 W bulb              |
| 7   | 016.087.00 | 1    | Tail light lens              |
| 8   | 016.084.00 | 2    | Tail light internal lens     |
| 9   | 022.017.00 | 4    | 12 V - 10 W bulb             |
| 10  | 184.419.00 | 6    | Screw                        |
| 11  | 016.082.00 | 1    | Tail light assy              |
| 12  | 016.085.00 | 2    | Stop light internal lens     |
| 13  | 017.419.00 | 1    | Head light wiring            |
| 14  | 184.151.15 | 4    | Screw                        |
| 15  | 016.086.00 | 2    | Rear indicator internal lens |
| 16  | 017.421.00 | 1    | Number plate light wiring    |
| 17  | 017.417.00 | 1    | Tail light wiring            |
| 18  | 016.071.00 | 1    | Number plate light           |
| 19  | 184.138.00 | 2    | Screw                        |
| 20  | 017.420.00 | 1    | Front indicators wiring      |
| 21  | 184.380.00 | 1    | Screw                        |
| 22  | 167.077.00 | 1    | Clamp                        |
| 23  | 022.102.00 | 2    | 12 V - 16 W bulb             |
| 24  | 072.220.00 | 2    | Headlight rubber cap         |
| 25  | 184.092.00 | 1    | Screw                        |

**Impianto elettrico**
**Electrical parts**


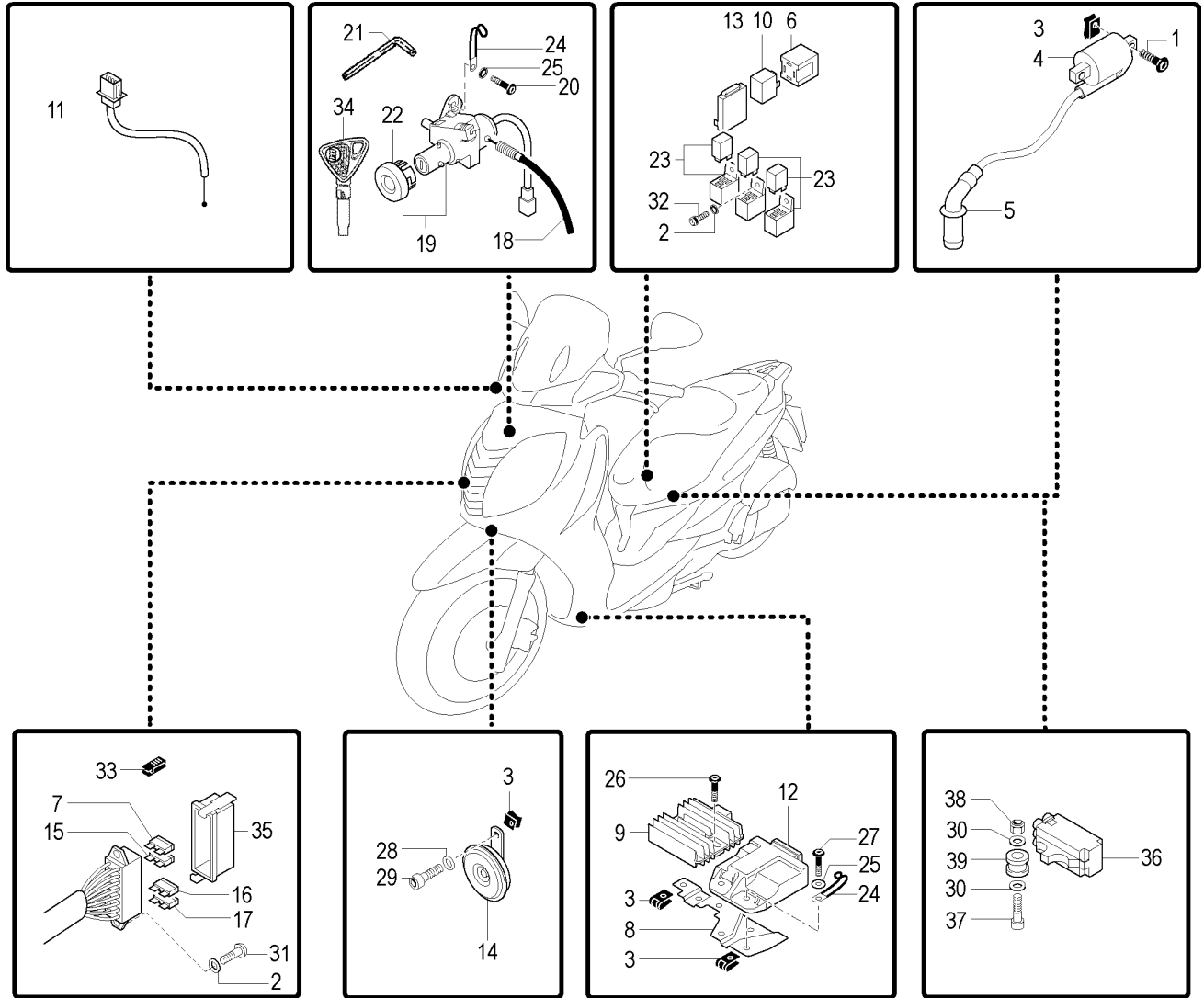
| Nr. | Codice | Q.tà | Descrizione |
|-----|--------|------|-------------|
|-----|--------|------|-------------|

|    |            |   |                                 |
|----|------------|---|---------------------------------|
| 1  | 184.357.00 | 2 | Vite bobina                     |
| 2  | 184.079.13 | 5 | Rondella                        |
| 3  | 184.201.00 | 5 | Prestola                        |
| 4  | 024.140.00 | 1 | Bobina                          |
| 5  | 073.017.00 | 1 | Pipetta candela                 |
| 6  | 071.382.00 | 1 | Attacco porta relais            |
| 7  | 025.050.00 | 2 | Fusibile 30 A                   |
| 8  | 191.124.13 | 1 | Staffa componenti elettrici     |
| 9  | 026.032.00 | 1 | Regolatore                      |
| 10 | 025.052.00 | 1 | Relais avviamento               |
| 11 | 021.024.00 | 1 | Sonda temperatura aria          |
| 12 | 024.141.00 | 1 | Centralina                      |
| 13 | 025.033.00 | 1 | Intermittenza                   |
| 14 | 018.081.00 | 1 | Avvisatore acustico             |
| 15 | 025.035.00 | 2 | Fusibile 3 A                    |
| 16 | 025.022.00 | 2 | Fusibile 7,5 A                  |
| 17 | 025.031.00 | 1 | Fusibile 15 A                   |
| 18 | 035.029.00 | 1 | Kit trasmissioni apertura sella |
| 19 | 090.075.00 | 1 | Commutatore avviamento          |
| 20 | 184.381.00 | 2 | Vite antimanomissione           |
| 21 | 086.066.00 | 1 | Chiave vite antimanomissione    |
| 22 | 071.388.00 | 1 | Cappuccio commutatore           |
| 23 | 025.055.00 | 3 | Relais                          |
| 24 | 167.039.00 | 2 | Fascetta                        |
| 25 | 184.051.13 | 3 | Rondella                        |

| Nr. | Code | Q.ty | Description |
|-----|------|------|-------------|
|-----|------|------|-------------|

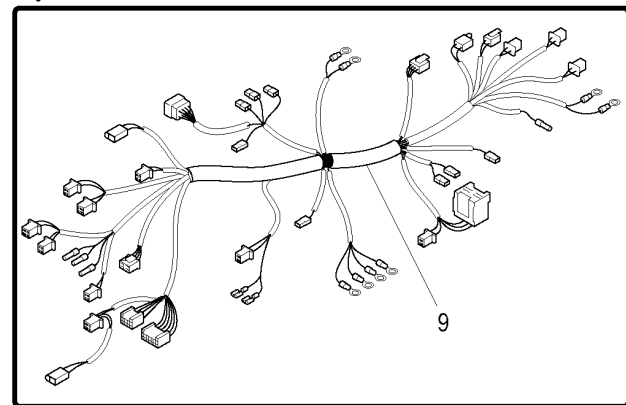
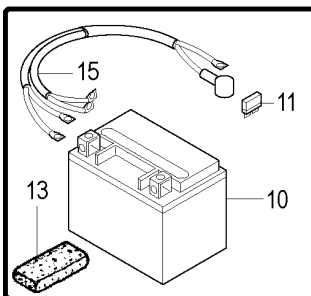
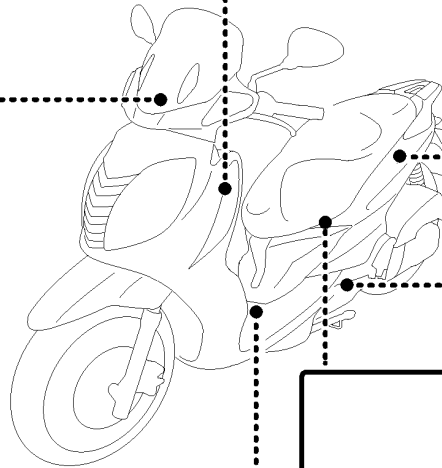
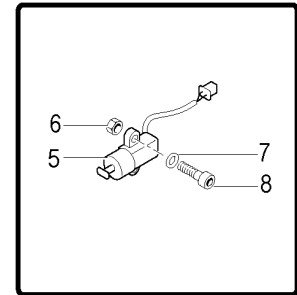
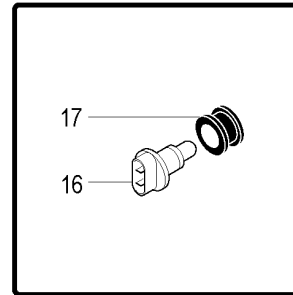
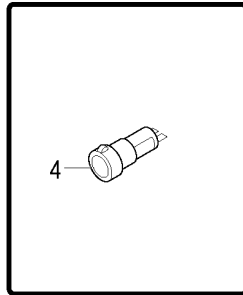
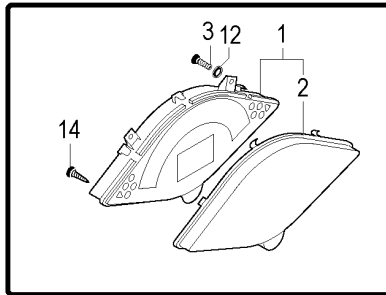
|    |             |   |                             |
|----|-------------|---|-----------------------------|
| 1  | 184.0357.00 | 2 | Screw                       |
| 2  | 184.079.13  | 5 | Washer                      |
| 3  | 184.201.00  | 5 | Prestola                    |
| 4  | 024.140.00  | 1 | Coil                        |
| 5  | 073.017.00  | 1 | Spark plug cap              |
| 6  | 071.382.00  | 1 | Relay holder                |
| 7  | 025.050.00  | 2 | 30 A fuse                   |
| 8  | 191.124.13  | 1 | Electric components bracket |
| 9  | 026.032.00  | 1 | Regulator                   |
| 10 | 025.052.00  | 1 | Starter relay               |
| 11 | 021.024.00  | 1 | Temperature gauge           |
| 12 | 024.141.00  | 1 | CDI                         |
| 13 | 025.033.00  | 1 | Flasher relay               |
| 14 | 018.081.00  | 1 | Horn                        |
| 15 | 025.035.00  | 2 | 3 A fuse                    |
| 16 | 025.022.00  | 2 | 7,5 A fuse                  |
| 17 | 025.031.00  | 1 | 15 A fuse                   |
| 18 | 035.029.00  | 1 | Seat opening cable kit      |
| 19 | 090.075.00  | 1 | Ignition barrel             |
| 20 | 184.381.00  | 2 | Antitampering screw         |
| 21 | 086.066.00  | 1 | Antitampering screw spanner |
| 22 | 071.388.00  | 1 | Ignition barrel cap         |
| 23 | 025.055.00  | 3 | Relay                       |
| 24 | 167.039.00  | 2 | Clamp                       |
| 25 | 184.051.13  | 3 | Washer                      |



**Impianto elettrico**
**Electrical parts**


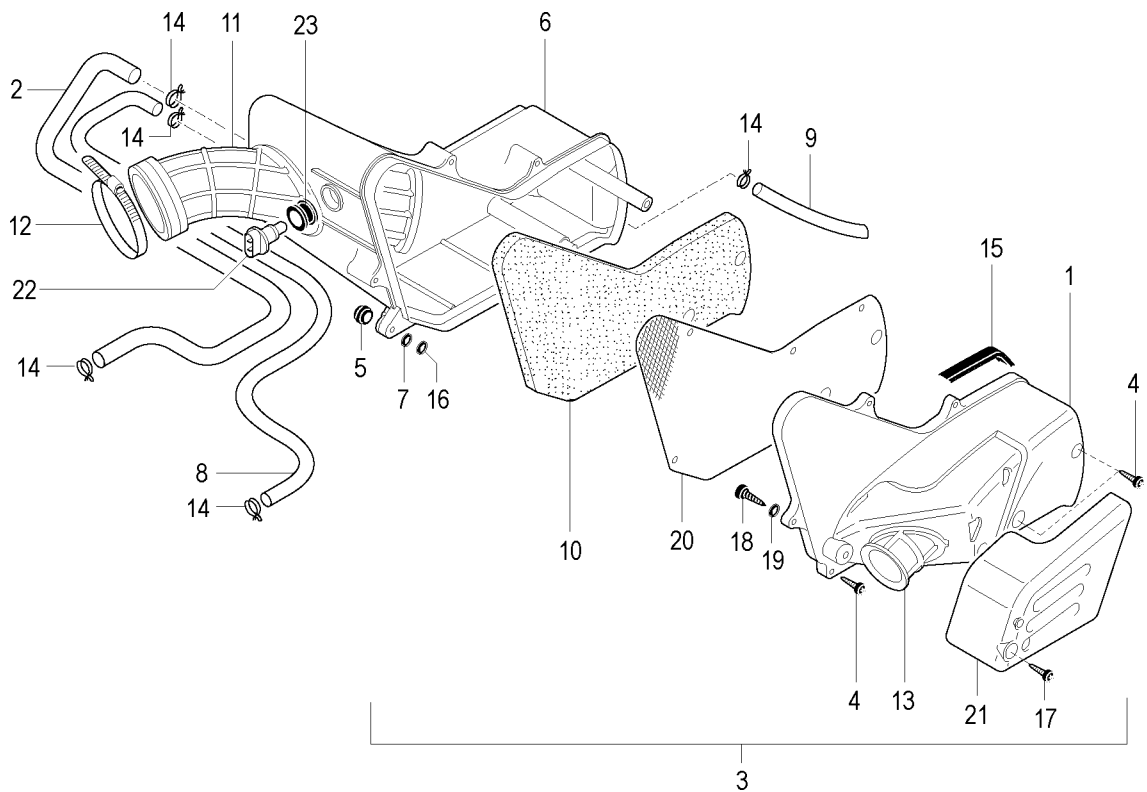
| Nr. | Codice     | Q.tà | Descrizione                |
|-----|------------|------|----------------------------|
| 26  | 184.370.00 | 2    | Vite regolatore            |
| 27  | 184.385.00 | 2    | Vite centralina            |
| 28  | 184.110.00 | 1    | Rondella                   |
| 29  | 184.353.00 | 1    | Vite claxon                |
| 30  | 184.045.13 | 2    | Rondella                   |
| 31  | 184.312.15 | 2    | Vite portafusibili         |
| 32  | 184.035.15 | 3    | Vite attacco porta relais  |
| 33  | 071.389.00 | 1    | Pinzetta fusibili          |
| 34  | 090.066.00 | 1    | Chiave grezza              |
| 35  | 071.728.00 | 1    | Coperchio scatola fusibili |
| 36  | 025.066.00 | 1    | Sensore anti ribaltamento  |
| 37  | 184.197.13 | 2    | Vite sensore               |
| 38  | 184.302.13 | 2    | Dado sensore               |
| 39  | 080.002.00 | 2    | Gommino sensore            |

| Nr. | Code       | Q.ty | Description         |
|-----|------------|------|---------------------|
| 26  | 184.370.00 | 2    | Screw               |
| 27  | 184.385.00 | 2    | Screw               |
| 28  | 184.110.00 | 1    | Washer              |
| 29  | 184.353.00 | 1    | Screw               |
| 30  | 184.045.13 | 2    | Washer              |
| 31  | 184.312.15 | 2    | Screw               |
| 32  | 184.035.15 | 3    | Screw               |
| 33  | 071.389.00 | 1    | Fuse plier          |
| 34  | 090.066.00 | 1    | Key                 |
| 35  | 071.728.00 | 1    | Fuse box cover      |
| 36  | 025.066.00 | 1    | Antirollover sensor |
| 37  | 184.197.13 | 2    | Screw               |
| 38  | 184.302.13 | 2    | Nut                 |
| 39  | 080.002.00 | 2    | Rubber              |

**Impianto elettrico**
**Electrical parts**


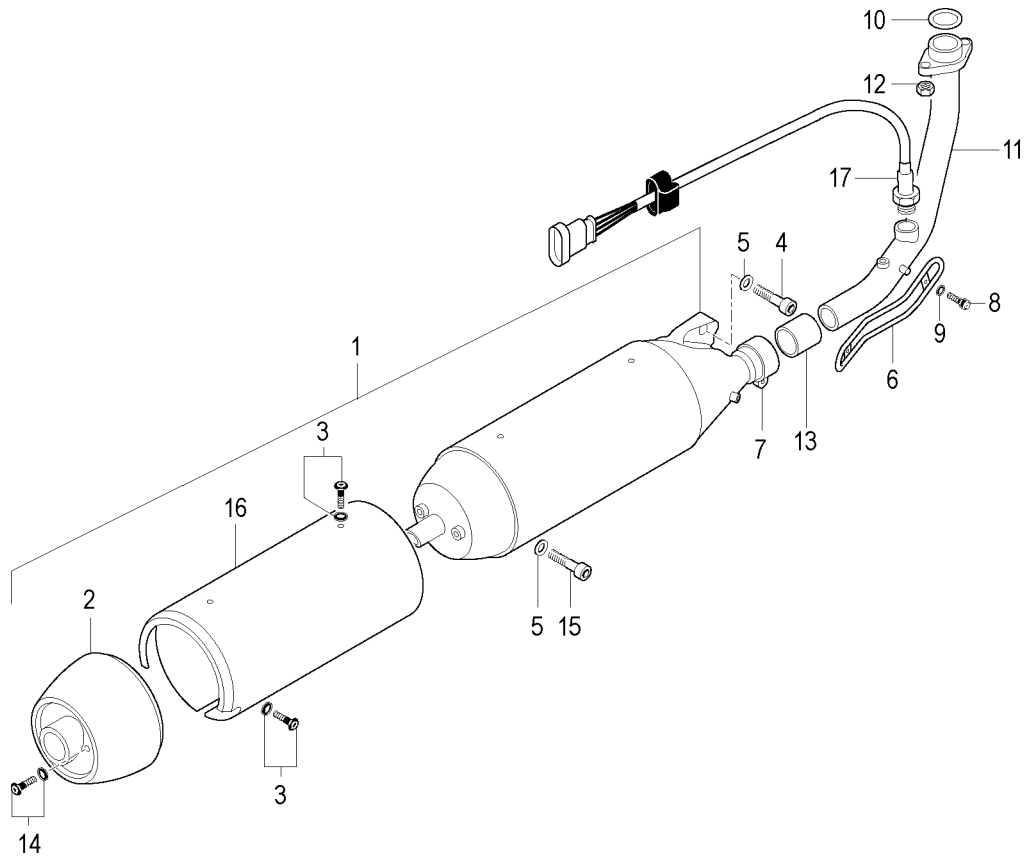
| Nr. | Codice     | Q.tà | Descrizione                      |
|-----|------------|------|----------------------------------|
| 1   | 196.209.00 | 1    | Cruscotto completo               |
| 2   | 071.639.00 | 1    | Trasparente                      |
| 3   | 184.380.00 | 4    | Vite cruscotto                   |
| 4   | 025.028.00 | 1    | Presa di corrente 12 V           |
| 5   | 021.016.00 | 1    | Interruttore cavalletto laterale |
| 6   | 184.099.15 | 2    | Dado                             |
| 7   | 184.079.13 | 2    | Rondella                         |
| 8   | 184.035.15 | 2    | Vite interruttore                |
| 9   | 017.440.00 | 1    | Cablaggio principale             |
| 10  | 074.037.00 | 1    | Batteria 12 V - 12 Ah            |
| 11  | 025.050.00 | 1    | Fusibile 30 A                    |
| 12  | 184.082.13 | 4    | Rondella                         |
| 13  | 072.077.00 | 1    | Profilato                        |
| 14  | 184.390.00 | 4    | Vite trasparente                 |
| 15  | 017.382.00 | 1    | Cablaggio batteria - motore      |
| 16  | 025.064.00 | 1    | Sensore temperatura aria         |
| 17  | 724.101.00 | 1    | Gommino sensore aria             |

| Nr. | Code       | Q.ty | Description           |
|-----|------------|------|-----------------------|
| 1   | 196.209.00 | 1    | Dashboard assy        |
| 2   | 071.639.00 | 1    | Dashboard glass       |
| 3   | 184.380.00 | 4    | Screw                 |
| 4   | 025.028.00 | 1    | 12 V outlet           |
| 5   | 021.016.00 | 1    | Side stand switch     |
| 6   | 184.099.15 | 2    | Nut                   |
| 7   | 184.079.13 | 2    | Washer                |
| 8   | 184.035.15 | 2    | Screw                 |
| 9   | 017.440.00 | 1    | Main wiring harness   |
| 10  | 074.037.00 | 1    | Batteria 12 V - 12 Ah |
| 11  | 025.050.00 | 1    | 30 A fuse             |
| 12  | 184.082.13 | 4    | Washer                |
| 13  | 072.077.00 | 1    | Profilato             |
| 14  | 184.390.00 | 4    | Screw                 |
| 15  | 017.382.00 | 1    | Battery - engine wire |
| 16  | 025.064.00 | 1    | Air sensor            |
| 17  | 724.101.00 | 1    | Rubber                |
| 18  | 025.066.00 | 1    | Antirollover sensor   |

**Gruppo aspirazione  
 Intake assembly**


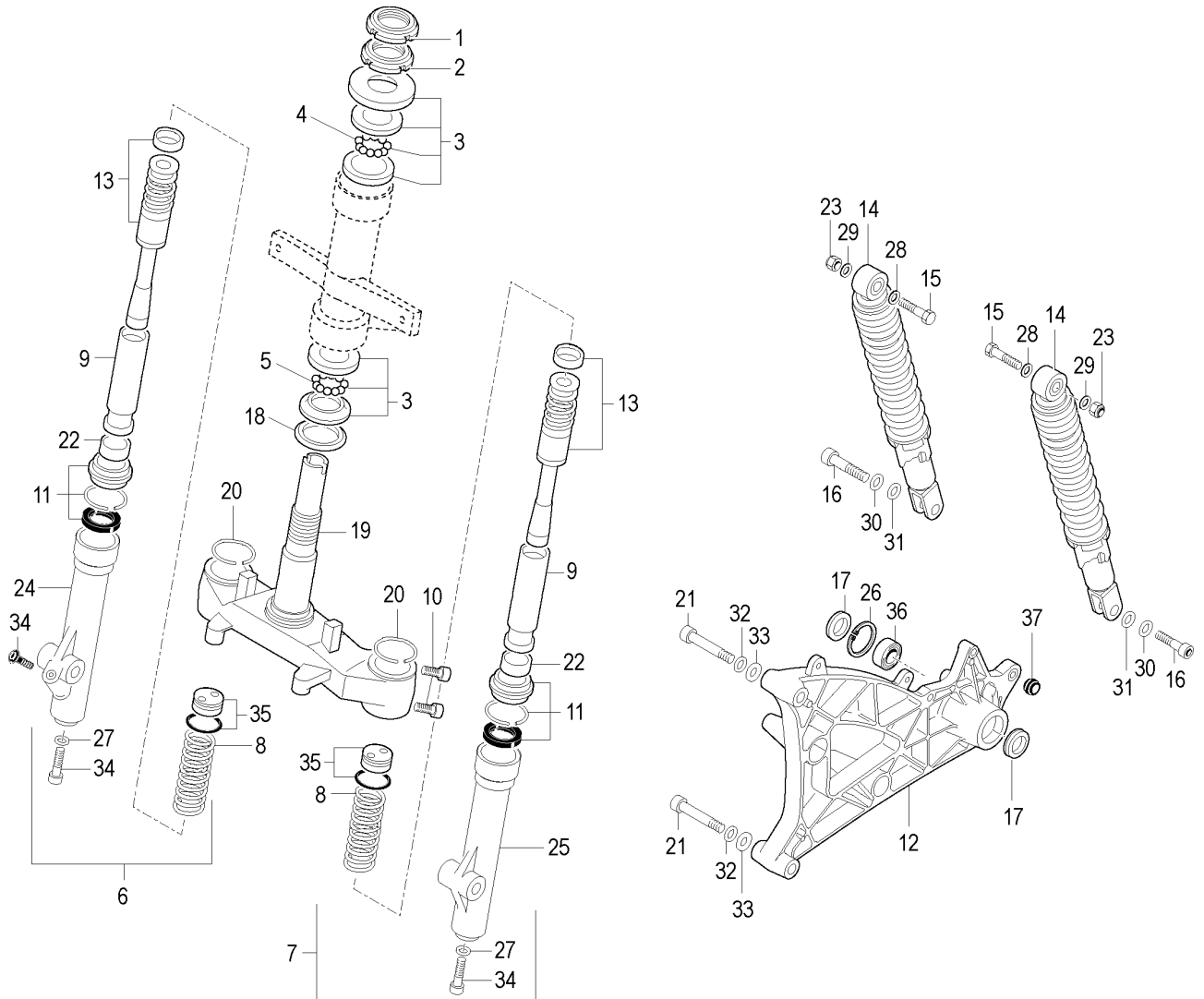
| Nr. | Codice     | Q.tà | Descrizione                           |
|-----|------------|------|---------------------------------------|
| 1   | 066.257.03 | 1    | Coperchio scatola filtro              |
| 2   | 180.096.00 | 1    | Tubo (corpo farfallato - filtro aria) |
| 3   | 066.271.00 | 1    | Cassetta aspirazione completa         |
| 4   | 184.379.00 | 12   | Vite coperchio                        |
| 5   | 075.010.00 | 2    | Silentblock                           |
| 6   | 066.260.03 | 1    | Scatola filtro aria                   |
| 7   | 150.224.00 | 2    | Boccola                               |
| 8   | 180.098.00 | 1    | Tubo blow-by                          |
| 9   | 180.085.50 | 1    | Tubo sfiato scatola filtro            |
| 10  | 066.261.00 | 1    | Filtro aria                           |
| 11  | 076.045.00 | 1    | Manicotto grande esterno              |
| 12  | 167.083.00 | 1    | Fascetta                              |
| 13  | 076.042.00 | 1    | Manicotto piccolo                     |
| 14  | 167.038.00 | 5    | Fascetta                              |
| 15  | 072.230.00 | 1    | Guarnizione coperchio filtro          |
| 16  | 150.148.14 | 2    | Boccola                               |
| 17  | 184.370.00 | 2    | Vite carter coperchio                 |
| 18  | 184.378.00 | 3    | Vite coperchio                        |
| 19  | 184.045.13 | 3    | Rondella                              |
| 20  | 071.689.00 | 1    | Griglia metallica                     |
| 21  | 066.262.03 | 1    | Carter coperchio scatola filtro       |
| 22  | 025.064.00 | 1    | Sensore temperatura aria              |
| 23  | 724.101.00 | 1    | Gommino sensore aria                  |

| Nr. | Code       | Q.ty | Description                     |
|-----|------------|------|---------------------------------|
| 1   | 066.257.03 | 1    | Air box cover                   |
| 2   | 180.096.00 | 1    | Throttle body - air filter pipe |
| 3   | 066.271.00 | 1    | Air box assy                    |
| 4   | 184.379.00 | 12   | Screw                           |
| 5   | 075.010.00 | 2    | Silentblock                     |
| 6   | 066.260.03 | 1    | Air box body                    |
| 7   | 150.224.00 | 2    | Bush                            |
| 8   | 180.098.00 | 1    | Blow-by pipe                    |
| 9   | 180.085.50 | 1    | Air box breather pipe           |
| 10  | 066.261.00 | 1    | Air filter                      |
| 11  | 076.045.00 | 1    | Air box external sleeve         |
| 12  | 167.083.00 | 1    | Clamp                           |
| 13  | 076.042.00 | 1    | Air box sleeve                  |
| 14  | 167.038.00 | 5    | Clamp                           |
| 15  | 072.230.00 | 1    | Air box cover gasket            |
| 16  | 150.148.14 | 2    | Bush                            |
| 17  | 184.370.00 | 2    | Screw                           |
| 18  | 184.378.00 | 3    | Screw                           |
| 19  | 184.045.13 | 3    | Washer                          |
| 20  | 071.689.00 | 1    | Metallic grid                   |
| 21  | 066.262.03 | 1    | Air box crankcase cover         |
| 22  | 025.064.00 | 1    | Air sensor                      |
| 23  | 724.101.00 | 1    | Rubber                          |

**Gruppo scarico**  
**Exhaust assembly**


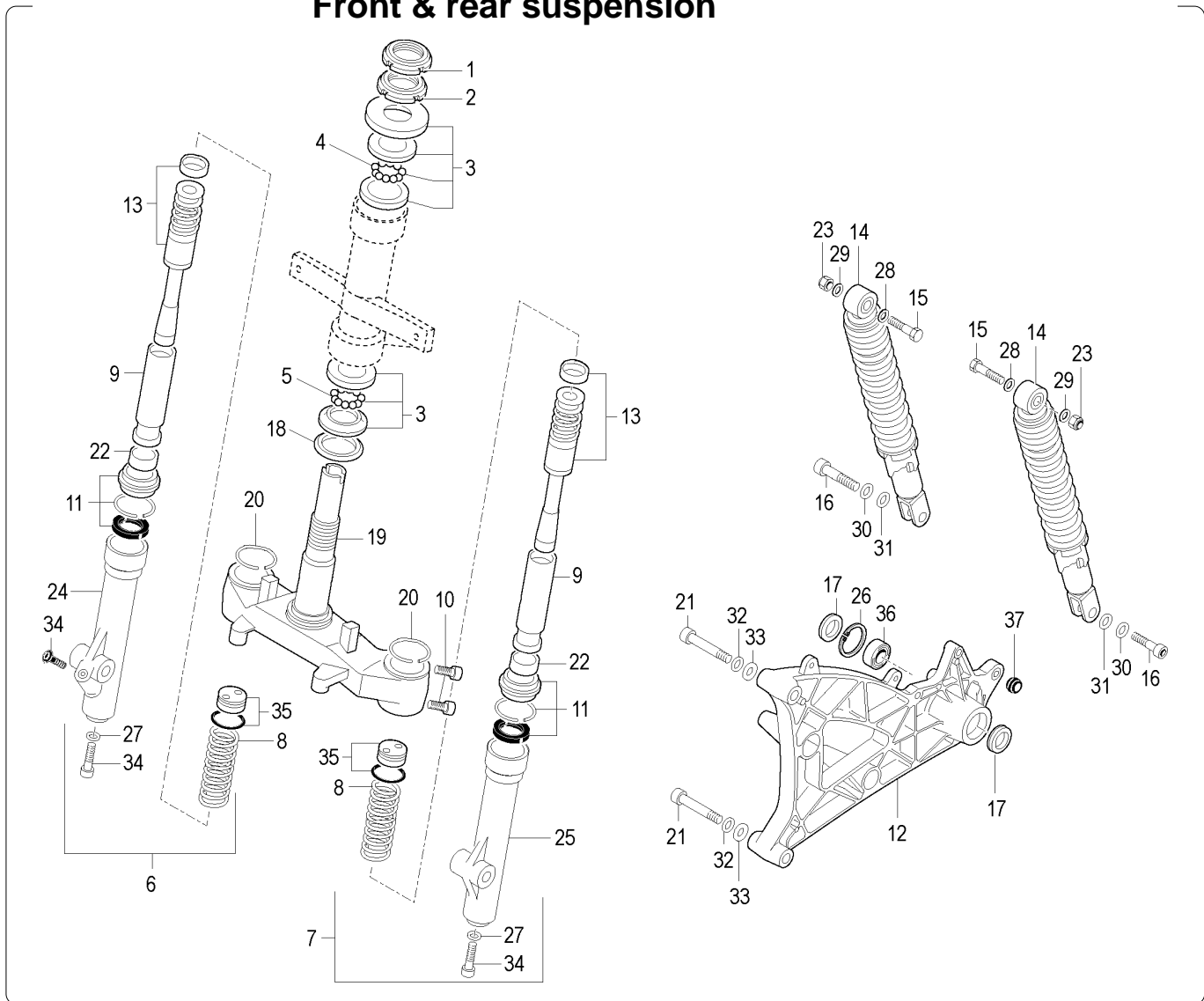
| Nr. | Codice     | Q.tà | Descrizione                       |
|-----|------------|------|-----------------------------------|
| 1   | 165.224.99 | 1    | Marmitta completa                 |
| 2   | 167.075.99 | 1    | Coperchio terminale marmitta      |
| 3   | 184.235.00 | 1    | Kit fissaggio protezione marmitta |
| 4   | 184.166.13 | 1    | Vite fissaggio marmitta           |
| 5   | 184.335.13 | 3    | Rondella marmitta                 |
| 6   | 191.125.00 | 1    | Protezione tubo scarico           |
| 7   | 167.076.00 | 1    | Fascetta serraggio collettore     |
| 8   | 184.236.00 | 2    | Vite protezione                   |
| 9   | 184.051.13 | 2    | Rondella                          |
| 10  | 072.232.00 | 1    | Guarnizione tubo scarico          |
| 11  | 164.065.00 | 1    | Collettore scarico                |
| 12  | 184.276.13 | 2    | Dado tubo scarico                 |
| 13  | 072.228.00 | 1    | Guarnizione marmitta              |
| 14  | 184.236.00 | 1    | Kit fissaggio terminale marmitta  |
| 15  | 184.215.15 | 2    | Vite fissaggio marmitta           |
| 16  | 071.725.16 | 1    | Protezione marmitta               |
| 17  | 021.036.00 | 1    | Sonda lambda                      |

| Nr. | Code       | Q.ty | Description                 |
|-----|------------|------|-----------------------------|
| 1   | 165.224.99 | 1    | Exhaust assy                |
| 2   | 167.075.99 | 1    | Exhaust cover kit           |
| 3   | 184.235.00 | 1    | Shield fixing set           |
| 4   | 184.166.13 | 1    | Screw                       |
| 5   | 184.335.13 | 3    | Washer                      |
| 6   | 191.125.00 | 1    | Exhaust manifold protection |
| 7   | 167.076.00 | 1    | Clamp                       |
| 8   | 184.236.00 | 2    | Screw                       |
| 9   | 184.051.13 | 2    | Washer                      |
| 10  | 072.232.00 | 1    | Manifold gasket             |
| 11  | 164.065.00 | 1    | Manifold                    |
| 12  | 184.276.13 | 2    | Nut                         |
| 13  | 072.228.00 | 1    | Exhaust gasket              |
| 14  | 184.236.00 | 1    | Exhaust end cover kit       |
| 15  | 184.215.15 | 2    | Screw                       |
| 16  | 071.725.16 | 1    | Muffler protection          |
| 17  | 021.036.00 | 1    | Lambda sensor               |



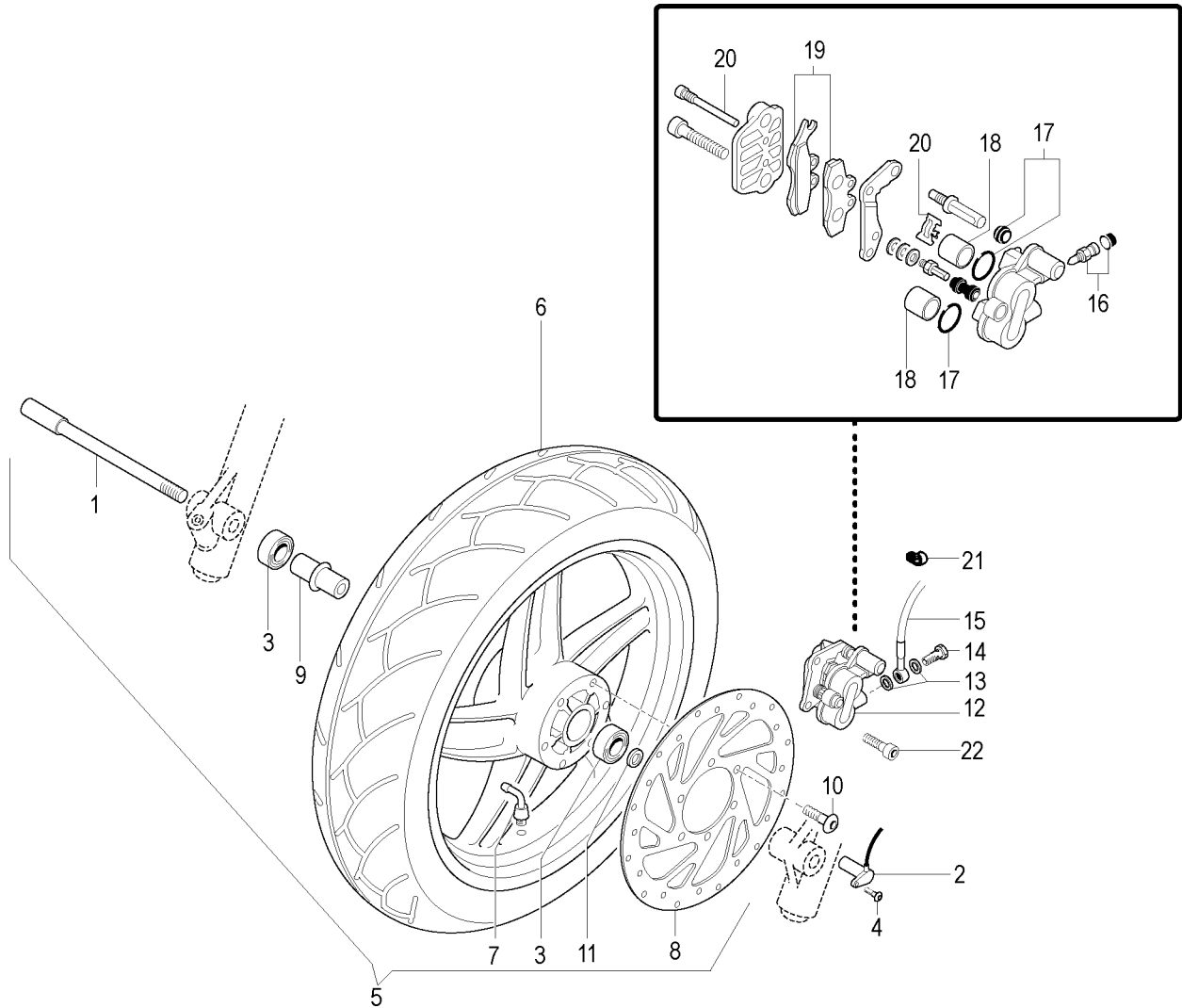
| Nr. | Codice     | Q.tà | Descrizione   |
|-----|------------|------|---|
| 1   | 185.009.13 | 1    | Ghiera autobloccante                                |
| 2   | 185.023.13 | 1    | Ghiera di fissaggio                                 |
| 3   | 104.022.00 | 2    | Serie sterzo completa                               |
| 4   | 120.261.00 | 22   | Sfere 3/16" (superiori)                             |
| 5   | 120.378.00 | 21   | Sfere 1/4" (inferiori)                              |
| 6   | 120.545.00 | 1    | Portaruota completo dx<br>fino a telaio n° 76009719 |
| 6   | 120.615.00 | 1    | Portaruota completo dx<br>da telaio n° 76009720     |
| 7   | 120.544.00 | 1    | Portaruota completo sx<br>fino a telaio n° 76009719 |
| 7   | 120.616.00 | 1    | Portaruota completo sx<br>da telaio n° 76009720     |
| 8   | 120.542.00 | 2    | Molla   |
| 9   | 120.547.00 | 2    | Canna completa                                      |
| 10  | 120.526.00 | 4    | Vite fissaggio trapezio superiore                   |
| 11  | 120.546.00 | 2    | Kit paraolio - parapolvere                          |
| 12  | 183.021.00 | 1    | Braccio completo                                    |
| 13  | 120.548.00 | 2    | Kit asta idraulica<br>fino a telaio n° 76009719     |
| 13  | 120.617.00 | 2    | Kit asta idraulica<br>da telaio n° 76009720         |
| 14  | 010.078.03 | 2    | Ammortizzatori                                      |
| 15  | 184.102.13 | 2    | Vite ammortizzatore superiore                       |
| 16  | 184.277.13 | 2    | Vite ammortizzatore inferiore                       |
| 17  | 150.256.00 | 2    | Distanziale con battuta                             |

| Nr. | Code       | Q.ty | Description                                 |
|-----|------------|------|---|
| 1   | 185.009.13 | 1    | Steering head nut                           |
| 2   | 185.023.13 | 1    | Steering nut                                |
| 3   | 104.022.00 | 2    | Steering head cap set                       |
| 4   | 120.261.00 | 22   | Steering ball cages 3/16" (upper)           |
| 5   | 120.378.00 | 21   | Steering ball cages 1/4" (lower)            |
| 6   | 120.545.00 | 1    | R/h fork leg assy<br>to frame n° 76009719   |
| 6   | 120.615.00 | 1    | R/h fork leg assy<br>from frame n° 76009720 |
| 7   | 120.544.00 | 1    | L/h fork leg assy<br>to frame n° 76009719   |
| 7   | 120.616.00 | 1    | L/h fork leg assy<br>from frame n° 76009720 |
| 8   | 120.542.00 | 2    | Spring                                      |
| 9   | 120.547.00 | 2    | Tube assy                                   |
| 10  | 120.526.00 | 4    | Screw                                       |
| 11  | 120.546.00 | 2    | Fork bush - seal kit                        |
| 12  | 183.021.00 | 1    | Rear swinging arm                           |
| 13  | 120.548.00 | 2    | Piston tube kit<br>to frame n° 76009719     |
| 13  | 120.617.00 | 2    | Piston tube kit<br>from frame n° 76009720   |
| 14  | 010.078.03 | 2    | Shock absorber                              |
| 15  | 184.102.13 | 2    | Screw                                       |
| 16  | 184.277.13 | 2    | Screw                                       |
| 17  | 150.256.00 | 2    | Spacer                                      |



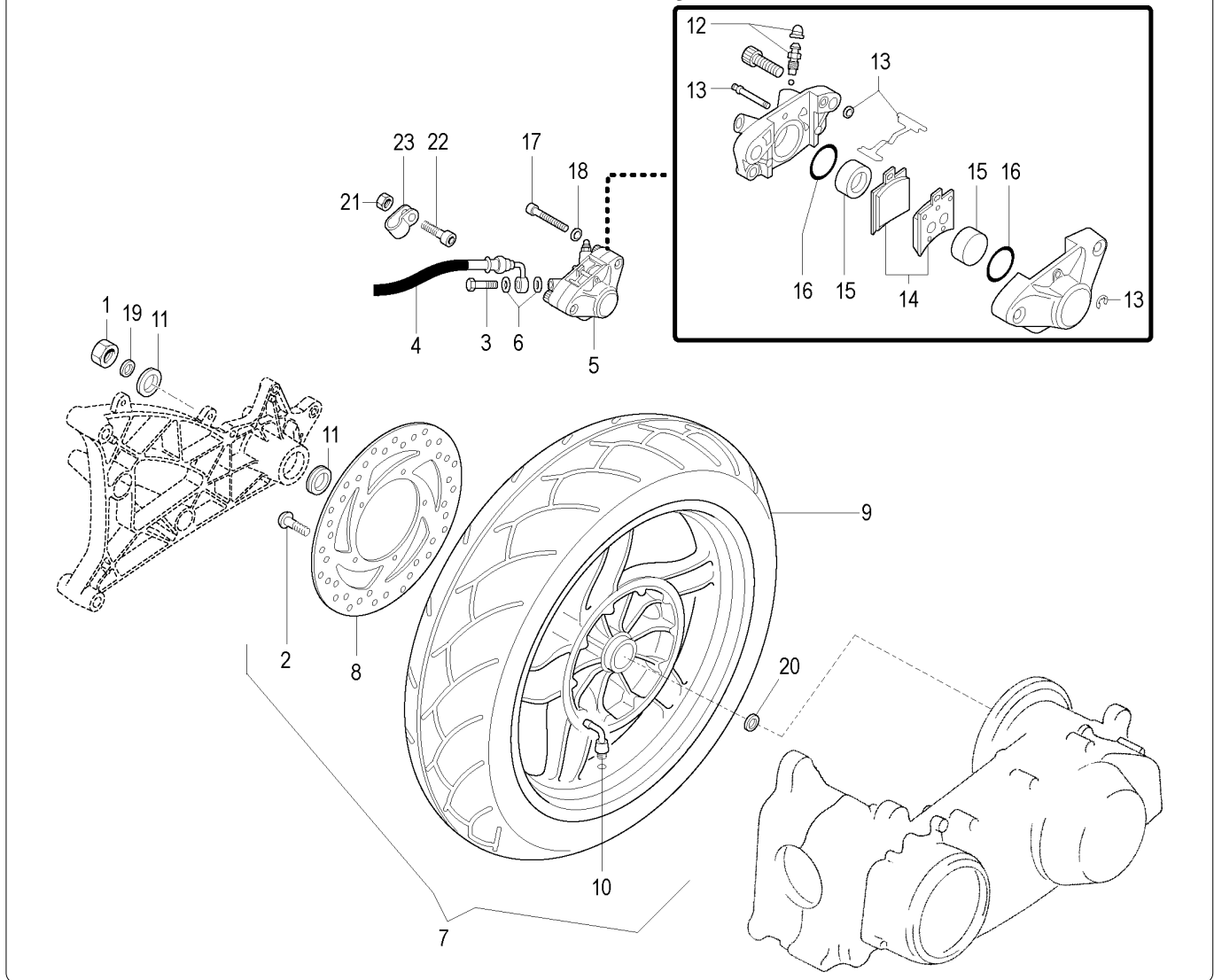
| Nr. | Codice     | Q.tà | Descrizione   |
|-----|------------|------|---|
| 18  | 072.098.00 | 1    | Anello parapolvere trapezio                                   |
| 19  | 120.543.00 | 1    | Gruppo trapezio inferiore<br><b>fino a telaio n° 76009719</b> |
| 19  | 120.618.00 | 1    | Gruppo trapezio inferiore<br><b>da telaio n° 76009720</b>     |
| 20  | 120.452.01 | 2    | Seeger tappo sterzo   |
| 21  | 184.166.13 | 2    | Vite fissaggio braccio  |
| 22  | 120.549.00 | 2    | Tampone idraulico   |
| 23  | 184.263.14 | 2    | Dado fissaggio ammortizzatore                                 |
| 24  |            |      | <b>NONFORNIBILE</b>   |
| 25  |            |      | <b>NONFORNIBILE</b>   |
| 26  | 150.333.00 | 1    | Seeger braccio  |
| 27  | 184.251.01 | 2    | Rondella fodero   |
| 28  | 184.094.13 | 2    | Rondella ammortizzatore superiore                             |
| 29  | 184.286.00 | 2    | Rondella ammortizzatore superiore                             |
| 30  | 184.053.13 | 2    | Rondella ammortizzatore inferiore                             |
| 31  | 184.329.13 | 2    | Rondella ammortizzatore inferiore                             |
| 32  | 184.094.13 | 2    | Rondella braccio  |
| 33  | 184.330.13 | 2    | Rondella braccio  |
| 34  | 120.550.00 | 3    | Vite base fodero  |
| 35  | 120.515.01 | 2    | Kit tappo stelo forcella                                      |
| 36  | 104.035.00 | 1    | Cuscinetto braccio  |
| 37  | 075.027.00 | 1    | Silentblock braccio   |
| --  | 013.063.50 | 1    | Forcella completa<br><b>fino a telaio n° 76009719</b>         |
| --  | 013.066.50 | 1    | Forcella completa<br><b>da telaio n° 76009720</b>             |

| Nr. | Code       | Q.ty | Description  |
|-----|------------|------|--|
| 18  | 072.098.00 | 1    | Dust seal  |
| 19  | 120.543.00 | 1    | Steering stem (lower)<br><b>to frame n° 76009719</b>   |
| 19  | 120.618.00 | 1    | Steering stem (lower)<br><b>from frame n° 76009720</b> |
| 20  | 120.452.01 | 2    | Seeger   |
| 21  | 184.166.13 | 2    | Screw  |
| 22  | 120.549.00 | 2    | Buffer   |
| 23  | 184.263.14 | 2    | Nut  |
| 24  |            |      | <b>NOT AVAILABLE</b>                                   |
| 25  |            |      | <b>NOT AVAILABLE</b>                                   |
| 26  | 150.333.00 | 1    | Seeger   |
| 27  | 184.251.01 | 2    | Washer   |
| 28  | 184.094.13 | 2    | Washer   |
| 29  | 184.286.00 | 2    | Washer   |
| 30  | 184.053.13 | 2    | Washer   |
| 31  | 184.329.13 | 2    | Washer   |
| 32  | 184.094.13 | 2    | Washer   |
| 33  | 184.330.13 | 2    | Washer   |
| 34  | 120.550.00 | 3    | Screw  |
| 35  | 120.515.01 | 2    | Fork plug set  |
| 36  | 104.035.00 | 1    | Bearing  |
| 37  | 075.027.00 | 1    | Silentblock  |
| --  | 013.063.50 | 1    | Front fork assy<br><b>to frame n° 76009719</b>         |
| --  | 013.066.50 | 1    | Front fork assy<br><b>from frame n° 76009720</b>       |

**Ruota anteriore & impianto frenante**  
**Front wheel & brake system**


| Nr. | Codice     | Q.tà | Descrizione                      |
|-----|------------|------|----------------------------------|
| 1   | 190.073.13 | 1    | Perno ruota                      |
| 2   | 178.193.00 | 1    | Rinvio contakm elettronico Hall  |
| 3   | 119.478.00 | 2    | Cuscinetto ruota                 |
| 4   | 184.370.00 | 1    | Vite rinvio                      |
| 5   | 109.082.08 | 1    | Ruota integrale                  |
| 6   | 050.066.00 | 1    | Copertura 110/70 - 16" tubeless  |
| 7   | 094.008.00 | 1    | Valvola tubeless                 |
| 8   | 119.618.00 | 1    | Disco freno anteriore            |
| 9   | 119.648.00 | 1    | Distanziale cuscinetti           |
| 10  | 119.645.00 | 6    | Vite disco freno                 |
| 11  | 119.649.00 | 1    | Distanziale esterno              |
| 12  | 031.025.08 | 1    | Pinza freno completa             |
| 13  | 190.006.00 | 2    | Rasamento                        |
| 14  | 150.024.14 | 1    | Vite trasmissione idraulica      |
| 15  | 033.069.00 | 1    | Trasmissione idraulica anteriore |
| 16  | 119.436.00 | 1    | Vite spurgo                      |
| 17  | 119.492.00 | 1    | Kit anelli tenuta pinza freno    |
| 18  | 119.495.00 | 2    | Pistoncini pinza freno           |
| 19  | 119.493.00 | 1    | Pastiglie freno (coppia)         |
| 20  | 119.494.00 | 1    | Kit fissaggio pastiglie freno    |
| 21  | 167.062.00 | 3    | Fascetta                         |
| 22  | 184.248.01 | 2    | Vite attacco pinza freno         |

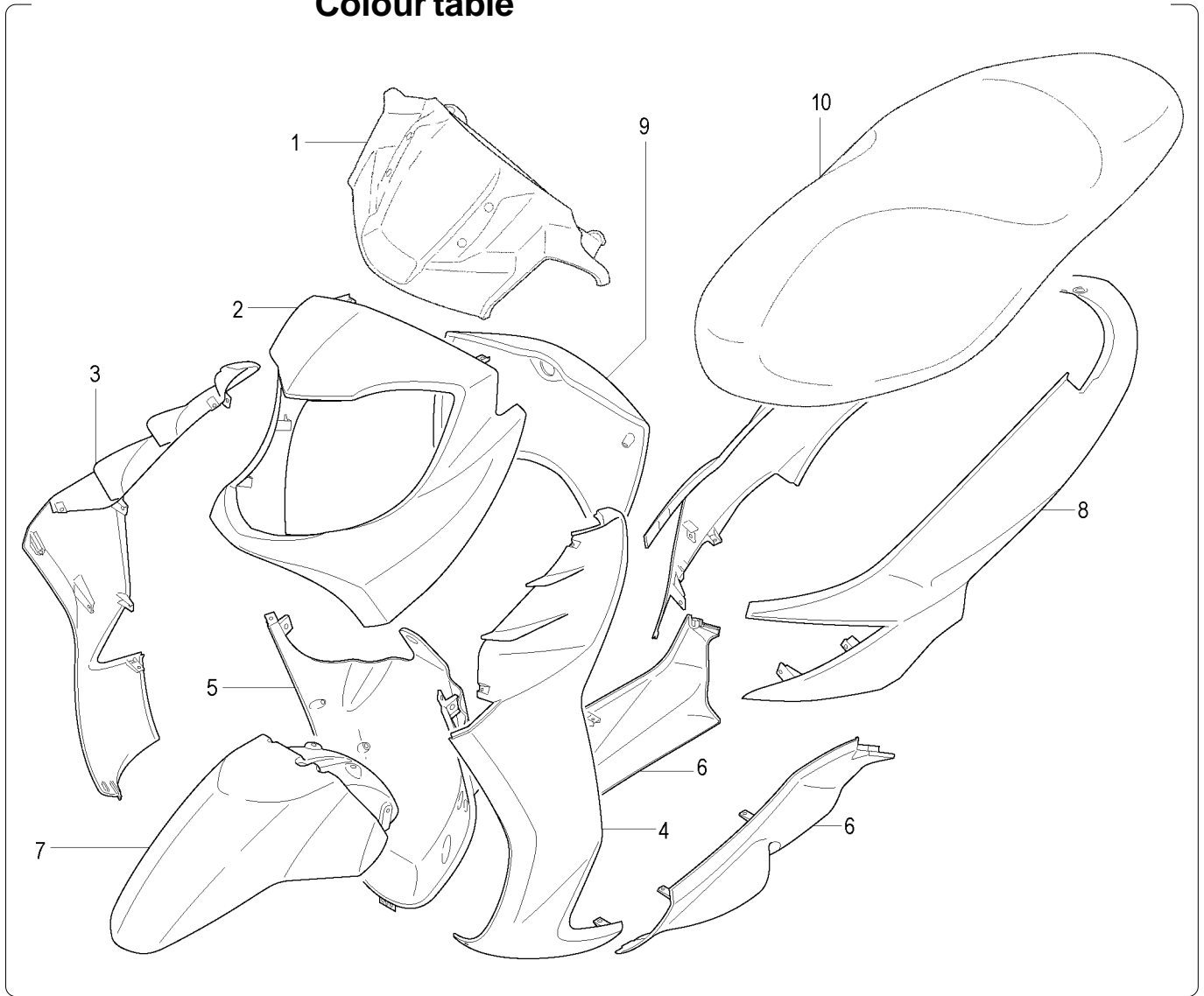
| Nr. | Code       | Q.ty | Description                |
|-----|------------|------|----------------------------|
| 1   | 190.073.13 | 1    | Front wheel spindle        |
| 2   | 178.193.00 | 1    | Speedo drive Hall          |
| 3   | 119.478.00 | 2    | Bearing                    |
| 4   | 184.370.00 | 1    | Screw                      |
| 5   | 109.082.08 | 1    | Front wheel assy           |
| 6   | 050.066.00 | 1    | Tyre tubeless 110/70 - 16" |
| 7   | 094.008.00 | 1    | Wheel valve                |
| 8   | 119.618.00 | 1    | Front brake disc           |
| 9   | 119.648.00 | 1    | Spacer                     |
| 10  | 119.645.00 | 6    | Screw                      |
| 11  | 119.649.00 | 1    | Spacer                     |
| 12  | 031.025.08 | 1    | Front brake caliper        |
| 13  | 190.006.00 | 2    | Copper banjo washer        |
| 14  | 150.024.14 | 1    | Hydraulic hose screw       |
| 15  | 033.069.00 | 1    | Front brake hose           |
| 16  | 119.436.00 | 1    | Screw                      |
| 17  | 119.492.00 | 1    | Seal ring set              |
| 18  | 119.495.00 | 2    | Front brake pistons        |
| 19  | 119.493.00 | 1    | Brake pad set              |
| 20  | 119.494.00 | 1    | Pad fixing set             |
| 21  | 167.062.00 | 3    | Clamp                      |
| 22  | 184.248.01 | 2    | Brake caliper fixing screw |

**Ruota posteriore & impianto frenante**
**Rear wheel & brake system**


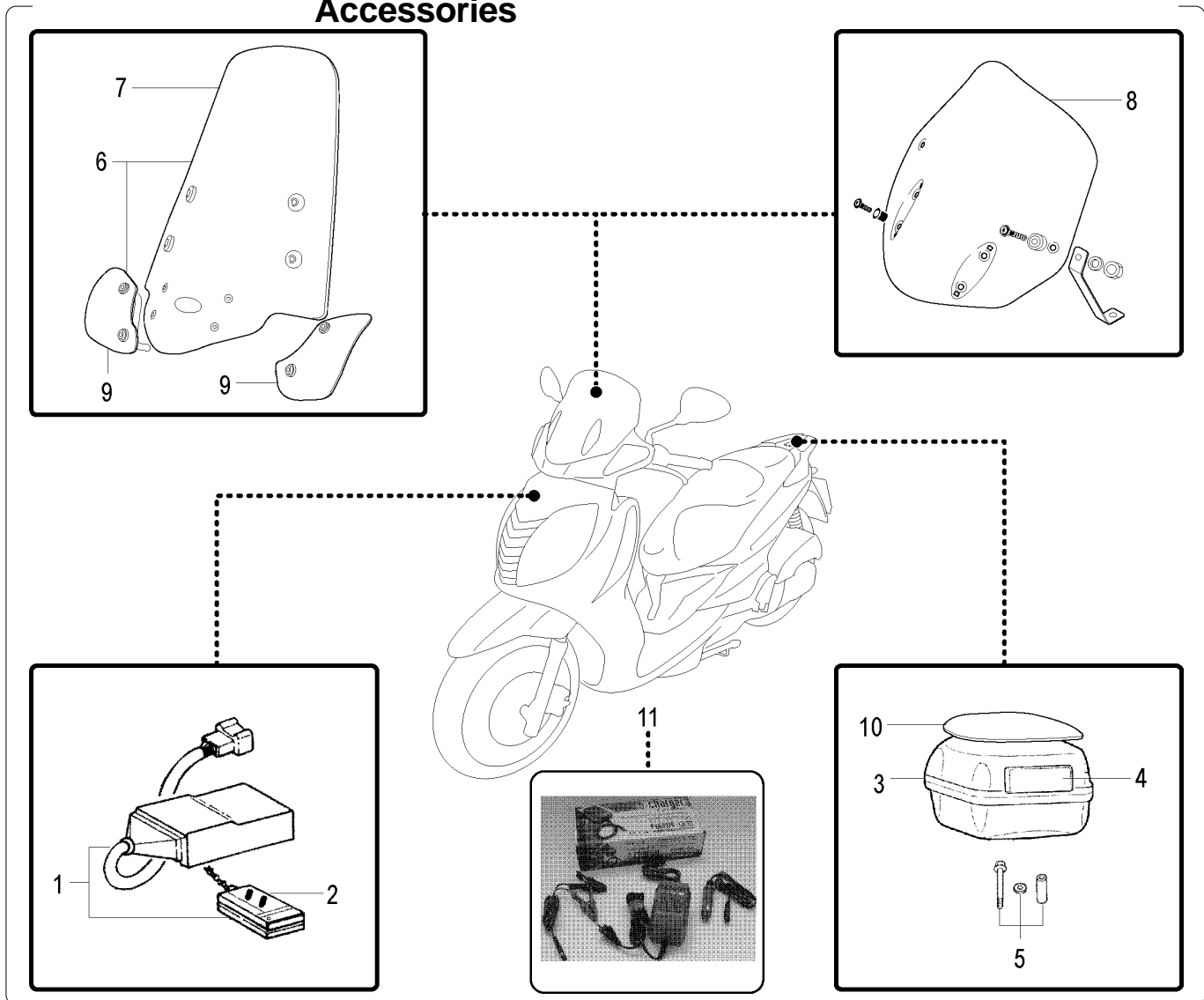
| Nr. | Codice     | Q.tà | Descrizione                       |
|-----|------------|------|-----------------------------------|
| 1   | 185.010.00 | 1    | Dado ruota                        |
| 2   | 119.645.00 | 5    | Vite disco freno                  |
| 3   | 150.024.14 | 1    | Vite trasmissione idraulica       |
| 4   | 033.070.00 | 1    | Trasmissione idraulica posteriore |
| 5   | 031.027.03 | 1    | Pinza freno completa              |
| 6   | 190.006.00 | 2    | Rasamento                         |
| 7   | 110.112.08 | 1    | Ruota integrale                   |
| 8   | 119.650.00 | 1    | Disco freno posteriore            |
| 9   | 050.067.00 | 1    | Copertura 140/70 - 16" tubeless   |
| 10  | 094.008.00 | 1    | Valvola tubeless                  |
| 11  | 150.256.00 | 2    | Distanziale interno braccio       |
| 12  | 119.279.00 | 1    | Vite spurgo                       |
| 13  | 119.487.00 | 1    | Kit molle pinza                   |
| 14  | 119.491.00 | 1    | Pastiglie freno (coppia)          |
| 15  | 119.488.00 | 2    | Pistoncini                        |
| 16  | 119.440.00 | 1    | Kit gommini                       |
| 17  | 184.277.13 | 2    | Vite pinza freno                  |
| 18  | 184.053.13 | 2    | Rondella                          |
| 19  | 119.649.00 | 1    | Rondella                          |
| 20  | 150.371.13 | 1    | Distanziale interno ruota         |
| 21  | 185.036.00 | 1    | Dado                              |
| 22  | 184.359.00 | 1    | Vite fascetta                     |
| 23  | 167.038.00 | 1    | Fascetta                          |

| Nr. | Code       | Q.ty | Description                |
|-----|------------|------|----------------------------|
| 1   | 185.010.00 | 1    | Wheel nut                  |
| 2   | 119.645.00 | 5    | Screw                      |
| 3   | 150.024.14 | 1    | Hydraulic hose screw       |
| 4   | 033.070.00 | 1    | Rear brake hose            |
| 5   | 031.027.03 | 1    | Rear brake caliper         |
| 6   | 190.006.00 | 2    | Copper banjo washer        |
| 7   | 110.112.08 | 1    | Rear wheel assy            |
| 8   | 119.650.00 | 1    | Brake disc                 |
| 9   | 050.067.00 | 1    | Tyre tubeless 140/70 - 16" |
| 10  | 094.008.00 | 1    | Wheel valve                |
| 11  | 150.256.00 | 2    | Spacer internal arm        |
| 12  | 119.279.00 | 1    | Screw                      |
| 13  | 119.487.00 | 1    | Pad fixing set             |
| 14  | 119.491.00 | 2    | Brake pad set              |
| 15  | 119.488.00 | 2    | Rear brake pistons         |
| 16  | 119.440.00 | 1    | Rear seal set              |
| 17  | 184.277.13 | 2    | Screw                      |
| 18  | 184.053.13 | 2    | Washer                     |
| 19  | 119.649.00 | 1    | Washer                     |
| 20  | 150.371.13 | 1    | Spacer internal wheel      |
| 21  | 185.036.00 | 1    | Nut                        |
| 22  | 184.359.00 | 1    | Screw                      |
| 23  | 167.038.00 | 1    | Clamp                      |



**Colori moto  
Colour table**

**TABELLA COLORI - COLOUR CODES**
**Colori - Colours**

| <b>N°<br/>Nr.</b> | <b>Codice<br/>Code</b> | <b>37<br/>Titanium</b> | <b>87<br/>Argento Lucido<br/>Light Silver</b> | <b>92<br/>Nero Centauri<br/>Centauri Black</b> | <b>68<br/>Blu Hemisphere</b> | <b>75<br/>White Ivory<br/>Ivory White</b> |  |  |
|-------------------|------------------------|------------------------|---|--|------------------------------|---|--|--|
| <b>1</b>          | <b>071.691.</b>        | 37                     | 87  | 92   | 68                           | 75  |  |  |
| <b>2</b>          | <b>066.164.</b>        | 37                     | 87  | 92   | 68                           | 75  |  |  |
| <b>3</b>          | <b>066.166.</b>        | 37                     | 87  | 92   | 68                           | 75  |  |  |
| <b>4</b>          | <b>066.165.</b>        | 37                     | 87  | 92   | 68                           | 75  |  |  |
| <b>5</b>          | <b>071.680.</b>        | 37                     | 87  | 92   | 68                           | 75  |  |  |
| <b>6</b>          | <b>063.265.</b>        | 37                     | 87  | 92   | 68                           | 75  |  |  |
| <b>7</b>          | <b>055.070.</b>        | 37                     | 87  | 92   | 68                           | 75  |  |  |
| <b>8</b>          | <b>063.253.</b>        | 37                     | 87  | 92   | 68                           | 75  |  |  |
| <b>9</b>          | <b>071.682.</b>        | 37                     | 87  | 92   | 68                           | 75  |  |  |
| <b>10</b>         | <b>106.108.</b>        | 03                     | 03  | 09   | 03                           | 05  |  |  |
| <b>--</b>         | <b>181.471.</b>        | 00                     | 00  | 00   | 00                           | 00  |  |  |

**Accessori  
Accessories**


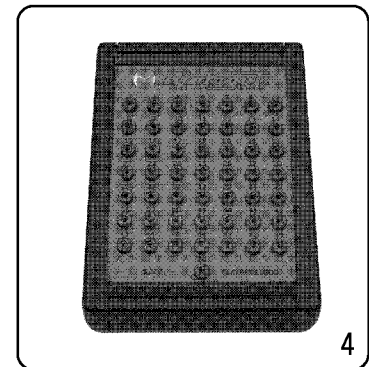
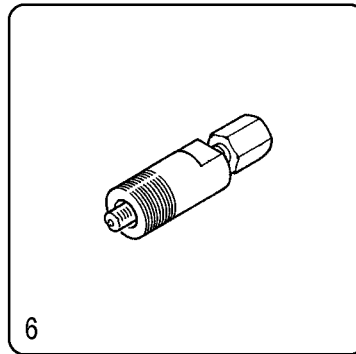
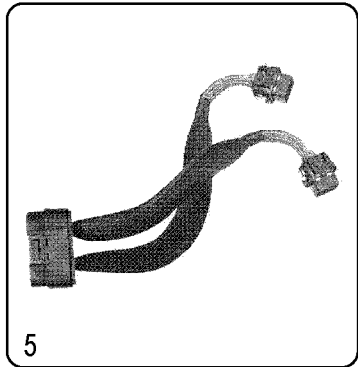
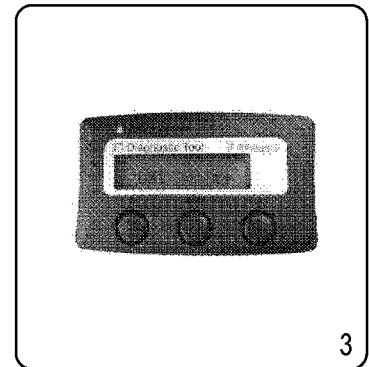
| Nr. | Codice      | Q.tà | Descrizione                    |
|-----|-------------|------|--------------------------------|
| 1   | 018.083.00  | 1    | Antifurto elettronico completo |
| 2   | 018.079.00  | 1    | Telecomando                    |
| 3   | 065.150. -- | 1    | Baulone porta casco            |
| 4   | 065.112.03  | 1    | Schienale per bauletto         |
| 5   | 150.377.00  | 1    | Kit fissaggio piastra baulone  |
| 6   | 063.264.00  | 1    | Parabrezza completo            |
| 7   | 063.263.00  | 1    | Lastra parabrezza              |
| 8   | 063.273.00  | 1    | Parabrezza Sport (tipo basso)  |
| 9   | 063.276.00  | 1    | Coppia paramani parabrezza     |
| 10  | 065.111. -- | 1    | Cover bauletto                 |
| 11  | 024.163.00  | 1    | Carica batteria                |

| Nr. | Code        | Q.ty | Description                             |
|-----|-------------|------|---|
| 1   | 018.083.00  | 1    | Alarm complete                          |
| 2   | 018.079.00  | 1    | Remote control                          |
| 3   | 065.150. -- | 1    | Top case                                |
| 4   | 065.112.03  | 1    | Top case 2nd passenger cushion          |
| 5   | 150.377.00  | 1    | Top case fixing kit                     |
| 6   | 063.264.00  | 1    | Windscreen assy                         |
| 7   | 063.263.00  | 1    | Windscreen glass                        |
| 8   | 063.273.00  | 1    | Windscreen assy Sport Model (flat type) |
| 9   | 063.276.00  | 1    | Handle protection                       |
| 10  | 065.111. -- | 1    | Top case cover                          |
| 11  | 024.163.00  | 1    | Battery charger                         |

**Tabella colori baulone e cover - Top case and cover colour codes**

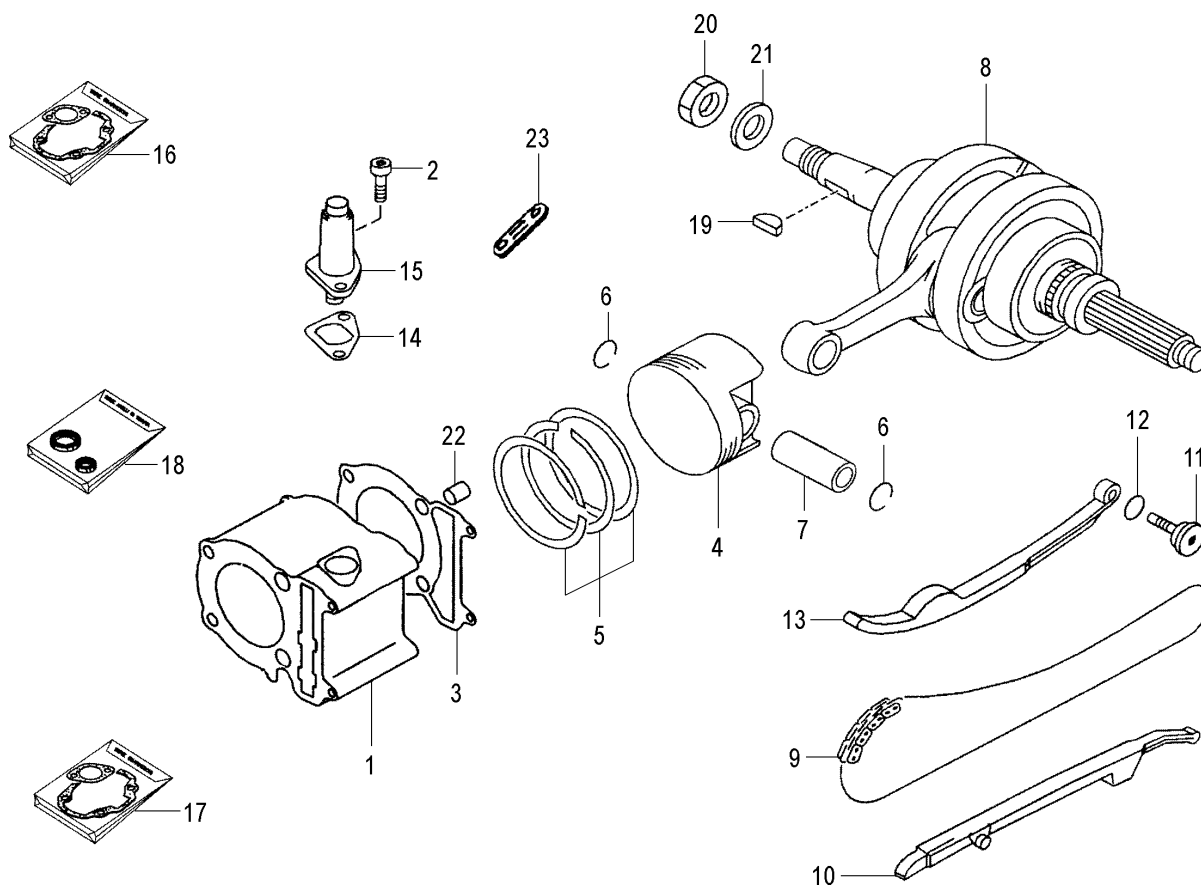
| N°<br>Nr. | Codice<br>Code | Titanium | Blu Hemisphere | Argento Lucido<br>Light Silver | Nero Centauri<br>Centauri Black | White Ivory<br>Ivory White |
|-----------|----------------|----------|----------------|--------------------------------|---------------------------------|----------------------------|
|-----------|----------------|----------|----------------|--------------------------------|---------------------------------|----------------------------|

|    |          |    |    |    |    |    |
|----|----------|----|----|----|----|----|
| 3  | 065.150. | 37 | 68 | 87 | 92 | 75 |
| 10 | 065.111. | 37 | 68 | 87 | 92 | 75 |



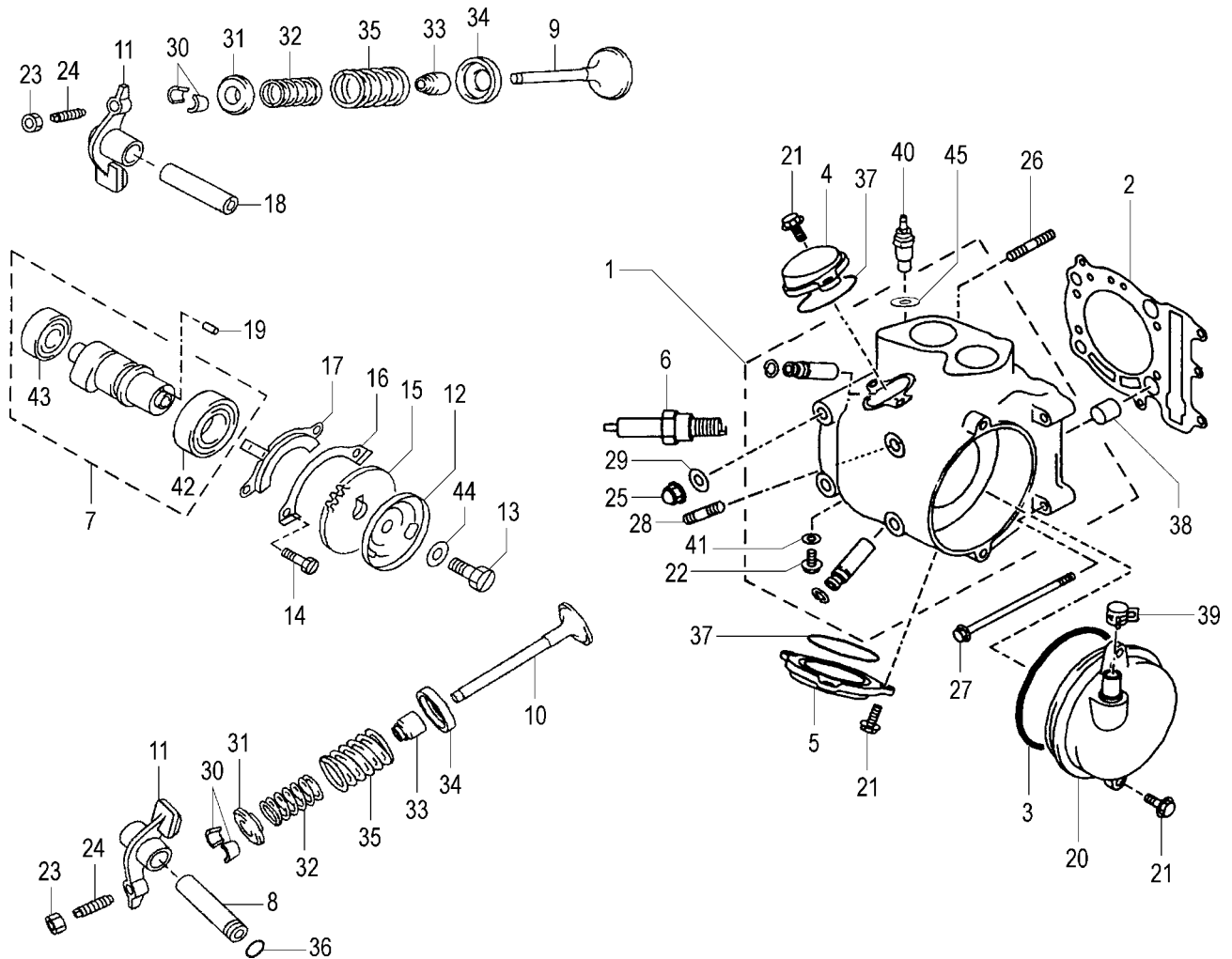
| Nr. | Codice     | Q.tà | Descrizione                       |
|-----|------------|------|-----------------------------------|
| 1   | 086.118.00 | 1    | Kit verifica iniezione (fig. 3+5) |
| 2   | 086.112.00 | 1    | Multimetro (Tester)               |
| 3   | 086.115.00 | 1    | Tester palmare diagnosi           |
| 4   | 086.116.00 | 1    | Strumento verifica iniezione      |
| 5   | 017.442.00 | 1    | Cablaggio adattatore              |
| 6   | 086.020.00 | 1    | Estrattore volano                 |

| Nr. | Code       | Q.ty | Description                   |
|-----|------------|------|-------------------------------|
| 1   | 086.118.00 | 1    | Injection test kit (fig. 3+5) |
| 2   | 086.112.00 | 1    | Multimeter (Tester)           |
| 3   | 086.115.00 | 1    | Diagnostic tester             |
| 4   | 086.116.00 | 1    | Injection test instrument     |
| 5   | 017.442.00 | 1    | Adapter wiring                |
| 6   | 086.020.00 | 1    | Flywheel puller               |



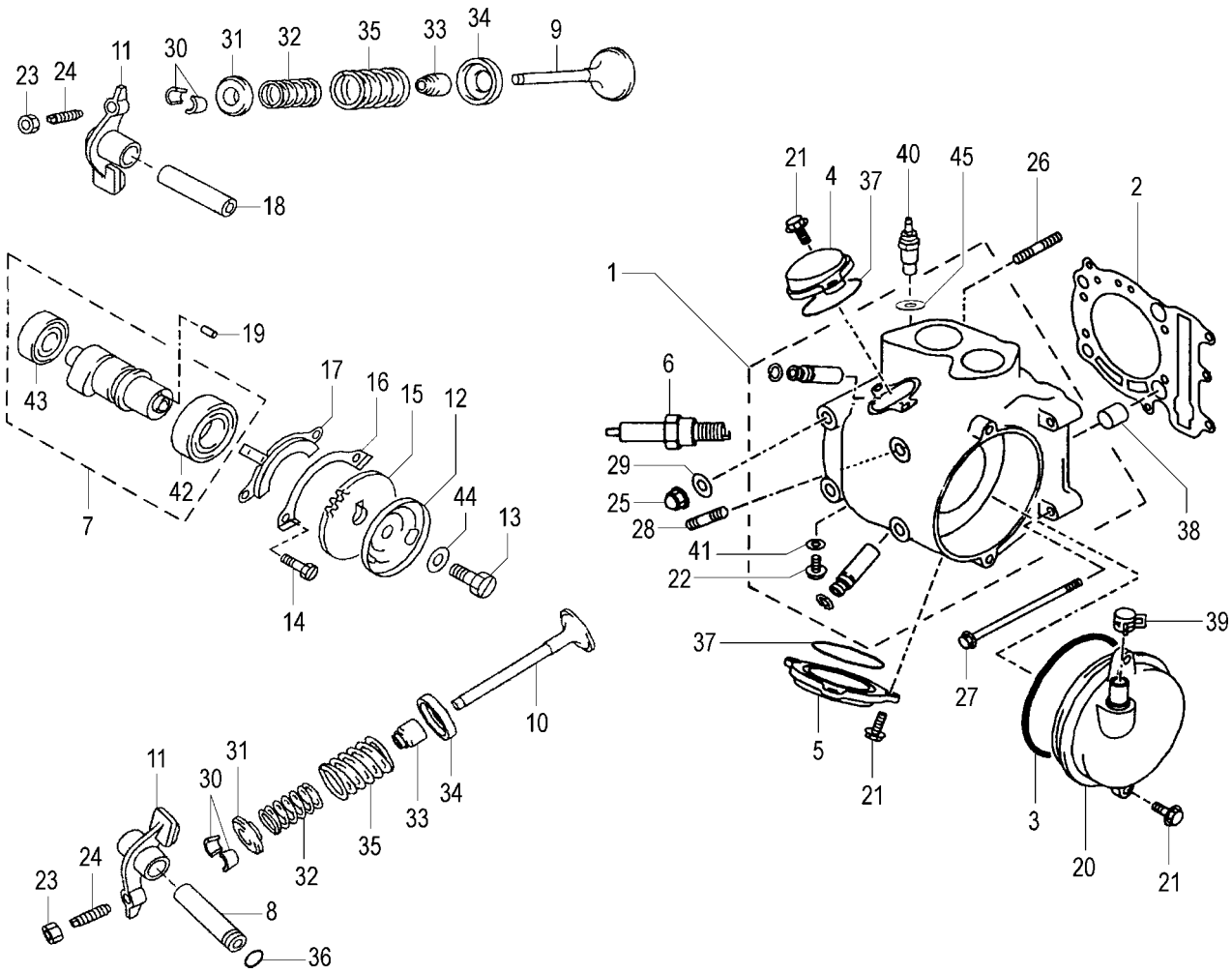
| Nr. | Codice               | Q.tà | Descrizione                     |
|-----|----------------------|------|---------------------------------|
| 1   | 771.213.00           | 1    | Cilindro nudo                   |
| 2   | 749.310.00           | 2    | Vite tendicatena                |
| 3   | 953.005.00           | 1    | Guarnizione base cilindro - 0,6 |
| 4   | 771.214.00           | 1    | Pistone nudo                    |
| 5   | 771.216.00           | 1    | Serie segmenti                  |
| 6   | 903.016.00           | 2    | Seeger spinotto                 |
| 7   | 756.121.00           | 1    | Spinotto pistone                |
| 8   | 771.215.00           | 1    | Imbiellaggio completo           |
| 9   | 717.012.00           | 1    | Catena distribuzione            |
| 10  | 724.092.00           | 1    | Pattino catena inferiore        |
| 11  | 949.017.00           | 1    | Vite guida catena               |
| 12  | 953.009.00           | 1    | O-Ring guida catena             |
| 13  | 724.093.00           | 1    | Guida catena superiore          |
| 14  | 953.008.00           | 1    | Guarnizione tenditore           |
| 15  | 765.012.00           | 1    | Tenditore catena                |
| 16  | <b>NON FORNIBILE</b> |      |                                 |
| 17  | <b>NON FORNIBILE</b> |      |                                 |
| 18  | <b>NON FORNIBILE</b> |      |                                 |
| 19  | 749.323.00           | 1    | Chiavetta albero motore         |
| 20  | 749.325.00           | 1    | Dado albero motore              |
| 21  | 949.009.00           | 1    | Rondella                        |
| 22  | 756.090.00           | 4    | Grano riferimento               |
| 23  | 749.227.00           | 1    | Fascetta                        |
| --  | 142.140.03           | 1    | Motore completo                 |

| Nr. | Code                 | Q.ty | Description                |
|-----|----------------------|------|----------------------------|
| 1   | 771.213.00           | 1    | Cylinder                   |
| 2   | 749.310.00           | 2    | Screw                      |
| 3   | 953.005.00           | 1    | Base cylinder gasket - 0,6 |
| 4   | 771.214.00           | 1    | Piston                     |
| 5   | 771.216.00           | 1    | Piston ring set            |
| 6   | 903.016.00           | 2    | Piston pin circlip         |
| 7   | 756.121.00           | 1    | Piston pin                 |
| 8   | 771.215.00           | 1    | Crankshaft assy            |
| 9   | 717.012.00           | 1    | Timing chain               |
| 10  | 724.092.00           | 1    | Timing chain sliding shoe  |
| 11  | 949.017.00           | 1    | Fixing screw               |
| 12  | 953.009.00           | 1    | O-Ring                     |
| 13  | 724.093.00           | 1    | Timing chain sliding shoe  |
| 14  | 953.008.00           | 1    | Gasket                     |
| 15  | 765.012.00           | 1    | Chain tensioner            |
| 16  | <b>NOT AVAILABLE</b> |      |                            |
| 17  | <b>NOT AVAILABLE</b> |      |                            |
| 18  | <b>NOT AVAILABLE</b> |      |                            |
| 19  | 749.323.00           | 1    | Woodruff key               |
| 20  | 749.325.00           | 1    | Nut                        |
| 21  | 949.009.00           | 1    | Washer                     |
| 22  | 756.090.00           | 4    | Pin dowel                  |
| 23  | 749.227.00           | 1    | Clamp                      |
| --  | 142.140.03           | 1    | Engine assy                |

**Testa & valvole**  
**Head & valves**


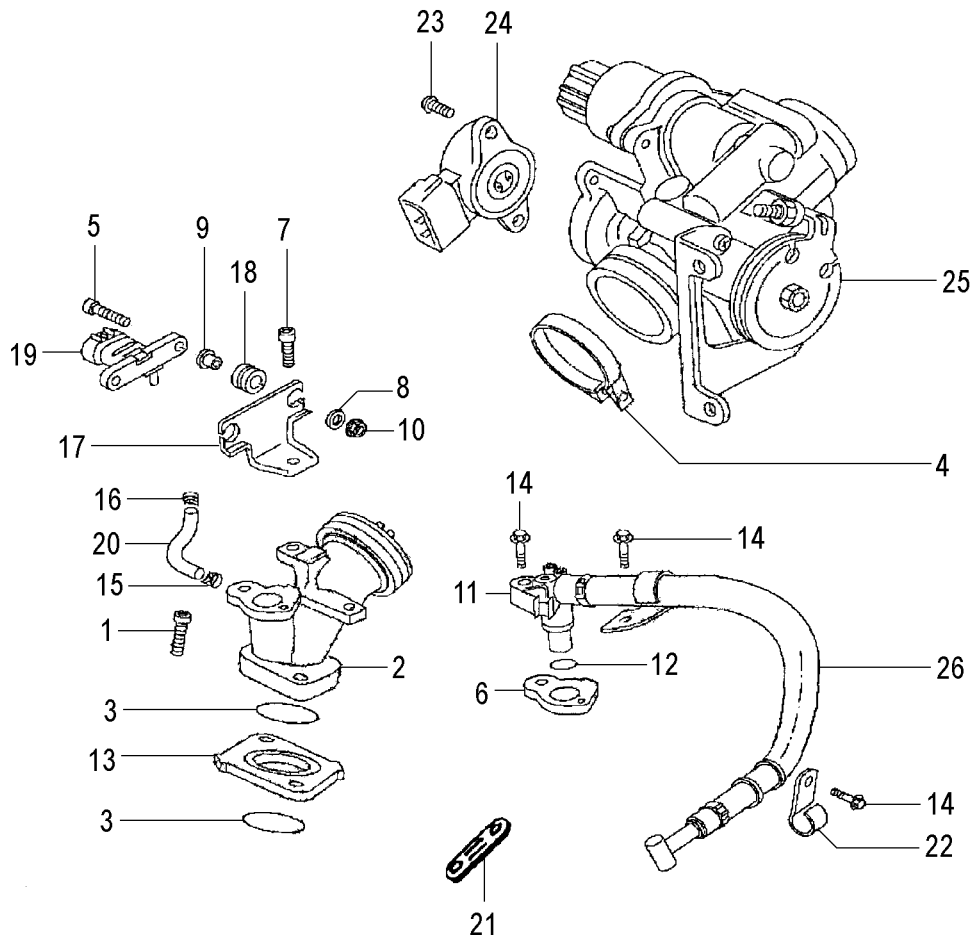
| Nr. | Codice     | Q.tà | Descrizione                         |
|-----|------------|------|-------------------------------------|
| 1   | 777.027.00 | 1    | Testa completa                      |
| 2   | 953.004.00 | 1    | Guarnizione testa                   |
| 3   | 953.002.00 | 1    | Guarnizione coperchio vapori olio   |
| 4   | 721.108.00 | 1    | Coperchio valvole lato aspirazione  |
| 5   | 721.103.00 | 1    | Coperchio valvole lato scarico      |
| 6   | 711.012.00 | 1    | Candela NGK DPR8EA9                 |
| 7   | 701.077.00 | 1    | Albero a camme                      |
| 8   | 956.004.00 | 1    | Asse bilanciere valvola scarico     |
| 9   | 760.081.00 | 1    | Valvola aspirazione                 |
| 10  | 960.002.00 | 1    | Valvola scarico                     |
| 11  | 701.073.00 | 2    | Bilanciere valvole                  |
| 12  | 926.005.00 | 1    | Lamierino protezione olio           |
| 13  | 949.014.00 | 1    | Vite lamierino                      |
| 14  | 749.334.00 | 2    | Vite piastrina                      |
| 15  | 940.001.00 | 1    | Pignone catena distribuzione        |
| 16  | 926.004.00 | 1    | Piastrina di fermo                  |
| 17  | 926.003.00 | 1    | Piastra albero a camme              |
| 18  | 956.005.00 | 1    | Asse bilanciere valvola aspirazione |
| 19  | 756.038.00 | 1    | Rullo guida                         |
| 20  | 721.104.00 | 1    | Coperchio testa                     |
| 21  | 749.335.00 | 7    | Vite coperchio                      |
| 22  | 749.269.00 | 1    | Vite testa                          |
| 23  | 949.012.00 | 2    | Dado registro valvole               |
| 24  | 749.336.00 | 2    | Vite registro valvole               |
| 25  | 949.004.00 | 4    | Dado cieco testa                    |

| Nr. | Code       | Q.ty | Description                |
|-----|------------|------|----------------------------|
| 1   | 777.027.00 | 1    | Cylinder head assy         |
| 2   | 953.004.00 | 1    | Cylinder head gasket       |
| 3   | 953.002.00 | 1    | Oil breather cover gasket  |
| 4   | 721.108.00 | 1    | Valve cover (intake)       |
| 5   | 721.103.00 | 1    | Valve cover (exhaust)      |
| 6   | 711.012.00 | 1    | Spark plug NGK DPR8EA9     |
| 7   | 701.077.00 | 1    | Cam shaft assy             |
| 8   | 956.004.00 | 1    | Rocker arm shaft (exhaust) |
| 9   | 760.081.00 | 1    | Intake valve               |
| 10  | 960.002.00 | 1    | Exhaust valve              |
| 11  | 701.073.00 | 2    | Rocker arm                 |
| 12  | 926.005.00 | 1    | Sheet oil                  |
| 13  | 949.014.00 | 1    | Screw                      |
| 14  | 749.334.00 | 2    | Screw                      |
| 15  | 940.001.00 | 1    | Cam chain sprocket         |
| 16  | 926.004.00 | 1    | Plate                      |
| 17  | 926.003.00 | 1    | Cam shaft plate            |
| 18  | 956.005.00 | 1    | Rocker arm shaft (intake)  |
| 19  | 756.038.00 | 1    | Pin dowel                  |
| 20  | 721.104.00 | 1    | Head cover                 |
| 21  | 749.335.00 | 7    | Screw                      |
| 22  | 749.269.00 | 1    | Screw                      |
| 23  | 949.012.00 | 2    | Nut                        |
| 24  | 749.336.00 | 2    | Valve adjusting screw      |
| 25  | 949.004.00 | 4    | Nut                        |



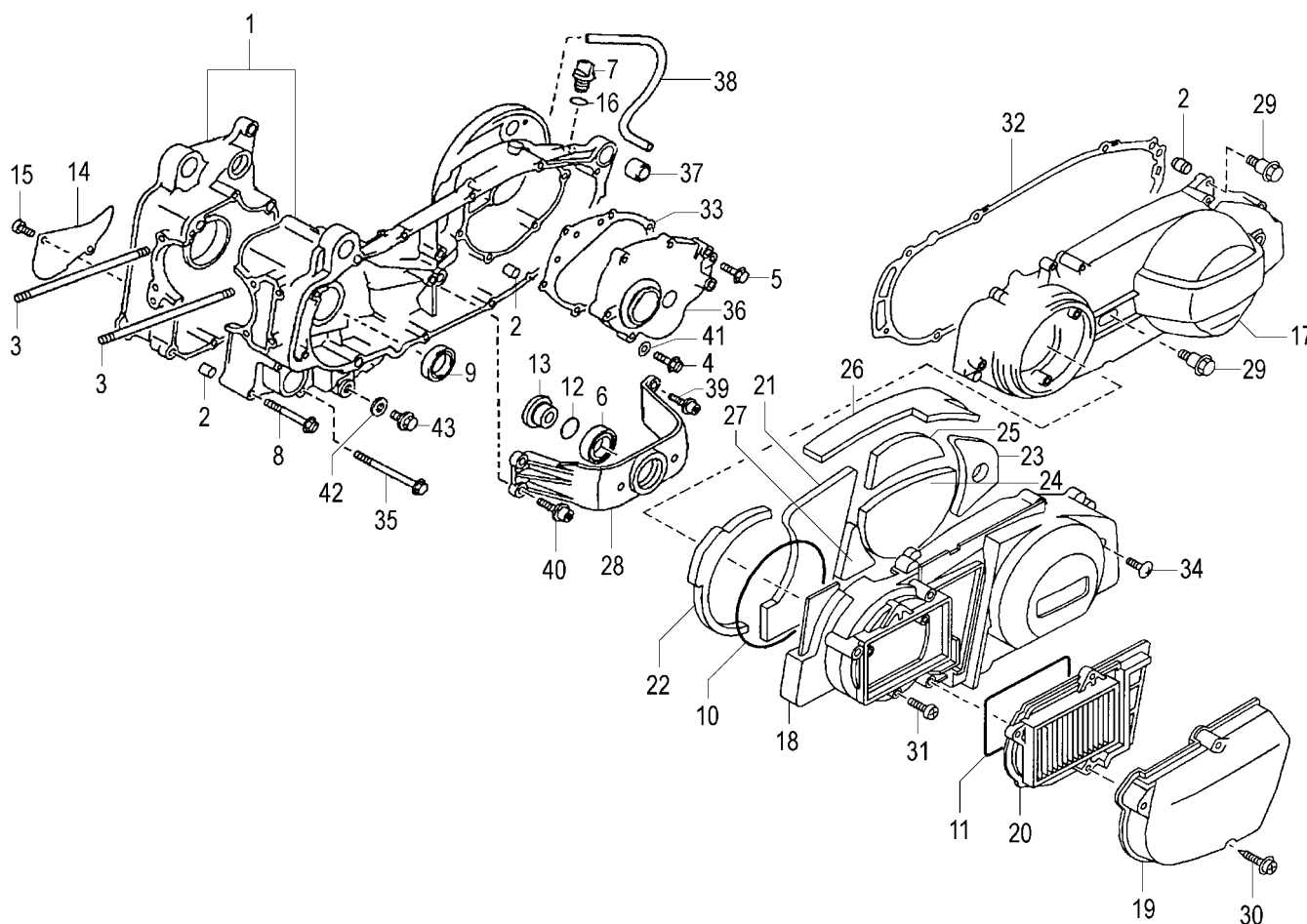
| Nr. | Codice     | Q.tà | Descrizione                         |
|-----|------------|------|-------------------------------------|
| 26  | 749.327.00 | 2    | Prigioniero testa                   |
| 27  | 749.338.00 | 2    | Prigioniero cilindro - testa        |
| 28  | 749.301.00 | 2    | Prigioniero testa                   |
| 29  | 949.005.00 | 4    | Rondella                            |
| 30  | 903.004.00 | 4    | Semicono tenuta valvola             |
| 31  | 926.002.00 | 2    | Scodellino superiore valvola        |
| 32  | 946.001.00 | 2    | Molla interna valvola               |
| 33  | 953.006.00 | 2    | Anello tenuta valvola               |
| 34  | 926.001.00 | 2    | Scodellino inferiore valvola        |
| 35  | 946.002.00 | 2    | Molla esterna valvola               |
| 36  | 953.007.00 | 1    | O-Ring                              |
| 37  | 953.003.00 | 2    | O-Ring                              |
| 38  | 956.001.00 | 2    | Spina riferimento                   |
| 39  | 903.002.00 | 2    | Fascetta                            |
| 40  | 756.125.00 | 1    | Sonda temperatura acqua             |
| 41  | 749.225.00 | 2    | Rondella                            |
| 42  | 751.097.00 | 1    | Cuscinetto albero a camme (esterno) |
| 43  | 751.098.00 | 1    | Cuscinetto albero a camme (interno) |
| 44  | 749.345.00 | 1    | Rondella                            |
| 45  | 753.197.00 | 1    | Guarnizione sonda temperatura acqua |
| --  | 142.140.03 | 1    | Motore completo                     |

| Nr. | Code       | Q.ty | Description                   |
|-----|------------|------|-------------------------------|
| 26  | 749.327.00 | 2    | Stud bolt                     |
| 27  | 749.338.00 | 2    | Stud bolt                     |
| 28  | 749.301.00 | 2    | Stud bolt                     |
| 29  | 949.005.00 | 4    | Washer                        |
| 30  | 903.004.00 | 4    | Valve seal                    |
| 31  | 926.002.00 | 2    | Cap                           |
| 32  | 946.001.00 | 2    | Valve spring (internal)       |
| 33  | 953.006.00 | 2    | Valve stem seal               |
| 34  | 926.001.00 | 2    | Cap                           |
| 35  | 946.002.00 | 2    | Valve spring (external)       |
| 36  | 953.007.00 | 1    | O-Ring                        |
| 37  | 953.003.00 | 2    | O-Ring                        |
| 38  | 956.001.00 | 2    | Pin dowel                     |
| 39  | 903.002.00 | 2    | Clamp                         |
| 40  | 756.125.00 | 1    | Water thermistor gauge        |
| 41  | 749.225.00 | 2    | Washer                        |
| 42  | 751.097.00 | 1    | Cam shaft bearing (external)  |
| 43  | 751.098.00 | 1    | Cam shaft bearing (internal)  |
| 44  | 749.345.00 | 1    | Washer                        |
| 45  | 753.197.00 | 1    | Water thermistor gauge gasket |
| --  | 142.140.03 | 1    | Engine assy                   |

**Corpo farfallato**  
**Throttle body**


| Nr. | Codice     | Q.tà | Descrizione                          |
|-----|------------|------|--------------------------------------|
| 1   | 749.313.00 | 2    | Vite collettore aspirazione          |
| 2   | 760.083.00 | 1    | Collettore aspirazione               |
| 3   | 753.181.00 | 2    | Anello tenuta                        |
| 4   | 749.322.00 | 1    | Fascetta collettore aspirazione      |
| 5   | 749.352.00 | 2    | Vite sensore pressione aria          |
| 6   | 760.084.00 | 1    | Distanziale iniettore                |
| 7   | 749.333.00 | 1    | Vite supporto sensore pressione aria |
| 8   | 749.337.00 | 2    | Rondella                             |
| 9   | 749.324.00 | 2    | Boccola                              |
| 10  | 749.319.00 | 2    | Dado                                 |
| 11  | 715.119.00 | 1    | Iniettore completo                   |
| 12  | 753.196.00 | 1    | Anello tenuta iniettore              |
| 13  | 760.080.00 | 1    | Distanziale collettore aspirazione   |
| 14  | 749.328.00 | 3    | Vite fascetta iniettore              |
| 15  | 167.018.13 | 1    | Fascetta                             |
| 16  | 749.342.00 | 1    | Fascetta tubo collettore - sensore   |
| 17  | 726.080.00 | 1    | Supporto sensore pressione aria      |
| 18  | 724.086.00 | 2    | Gommino supporto sensore             |
| 19  | 025.065.00 | 1    | Sensore pressione aria               |
| 20  | 724.103.00 | 1    | Tubo sensore pressione aria          |
| 21  | 749.227.00 | 2    | Fascetta                             |
| 22  | 167.068.00 | 1    | Fascetta iniettore                   |
| 23  | 749.344.00 | 2    | Vite sensore valvola farfalla        |
| 24  | 623.394.00 | 1    | Sensore valvola farfalla             |
| 25  | 715.118.00 | 1    | Corpo farfallato                     |
| 26  | 180.097.00 | 1    | Tubo iniettore                       |

| Nr. | Code       | Q.ty | Description          |
|-----|------------|------|----------------------|
| 1   | 749.313.00 | 2    | Screw                |
| 2   | 760.083.00 | 1    | Intake manifold      |
| 3   | 753.181.00 | 2    | Seal ring            |
| 4   | 749.322.00 | 1    | Clamp                |
| 5   | 749.352.00 | 2    | Screw                |
| 6   | 760.084.00 | 1    | Spacer               |
| 7   | 749.333.00 | 1    | Screw                |
| 8   | 749.337.00 | 2    | Washer               |
| 9   | 749.324.00 | 2    | Collar               |
| 10  | 749.319.00 | 2    | Nut                  |
| 11  | 715.119.00 | 1    | Injector assy        |
| 12  | 753.196.00 | 1    | O-Ring               |
| 13  | 760.080.00 | 1    | Spacer               |
| 14  | 749.328.00 | 3    | Screw                |
| 15  | 167.018.13 | 1    | Clamp                |
| 16  | 749.342.00 | 1    | Clamp                |
| 17  | 726.080.00 | 1    | Bracket              |
| 18  | 724.086.00 | 2    | Rubber               |
| 19  | 025.065.00 | 1    | Air pressure sensor  |
| 20  | 724.103.00 | 1    | Air pressure hose    |
| 21  | 749.227.00 | 2    | Clamp                |
| 22  | 167.068.00 | 1    | Clamp                |
| 23  | 749.344.00 | 2    | Screw                |
| 24  | 623.394.00 | 1    | Throttle body sensor |
| 25  | 715.118.00 | 1    | Throttle body assy   |
| 26  | 180.097.00 | 1    | Injector pipe        |



| Nr. | Codice | Q.tà | Descrizione |
|-----|--------|------|-------------|
|-----|--------|------|-------------|

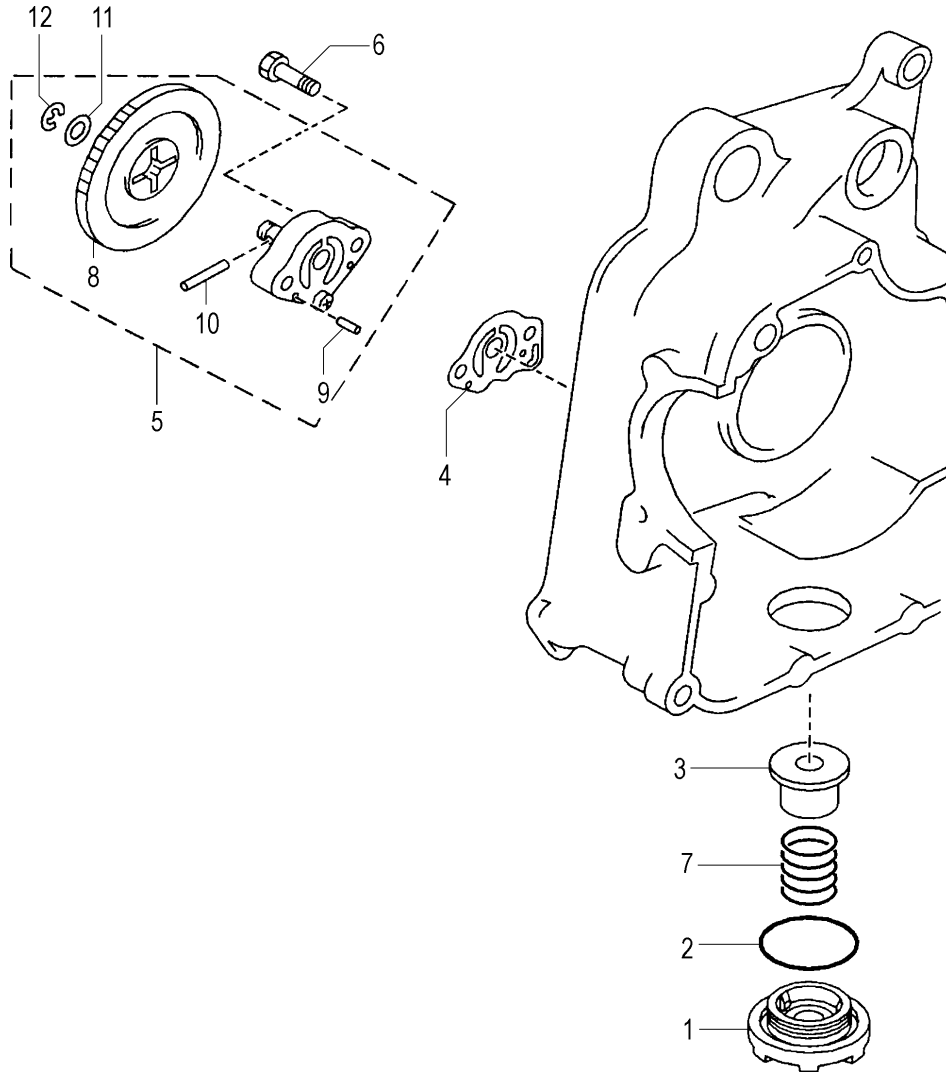
|    |            |   |                                      |
|----|------------|---|--------------------------------------|
| 1  | 770.032.00 | 1 | Coppia carter motore                 |
| 2  | 756.090.00 | 2 | Grano riferimento                    |
| 3  | 949.033.00 | 4 | Prigioniero cilindro                 |
| 4  | 749.305.00 | 1 | Vite carter trasmissione             |
| 5  | 749.303.00 | 6 | Vite carter trasmissione             |
| 6  | 751.100.00 | 1 | Cuscinetto ponte frizione            |
| 7  | 724.048.00 | 1 | Tappo alimentazione olio             |
| 8  | 749.304.00 | 4 | Vite unione carter                   |
| 9  | 953.018.00 | 1 | Anello tenuta                        |
| 10 | 753.204.00 | 1 | Guarnizione convogliatore aria       |
| 11 | 753.205.00 | 1 | Guarnizione scatola filtro variatore |
| 12 | 753.206.00 | 1 | O-Ring ponte frizione                |
| 13 | 749.321.00 | 1 | Boccola ponte frizione               |
| 14 | 931.001.00 | 1 | Protezione                           |
| 15 | 749.310.00 | 4 | Vite protezione                      |
| 16 | 753.105.00 | 1 | Guarnizione tappo alimentazione olio |
| 17 | 721.100.00 | 1 | Coperchio frizione                   |
| 18 | 721.109.00 | 1 | Coperchio insonorizzazione frizione  |
| 19 | 721.097.00 | 1 | Convogliatore aria                   |
| 20 | 066.265.00 | 1 | Filtro aria variatore                |
| 21 | 724.094.00 | 1 | Elemento insonorizzante              |
| 22 | 724.095.00 | 1 | Elemento insonorizzante              |
| 23 | 724.096.00 | 1 | Elemento insonorizzante              |
| 24 | 724.097.00 | 1 | Elemento insonorizzante              |
| 25 | 724.098.00 | 1 | Elemento insonorizzante              |

| Nr. | Code | Q.ty | Description |
|-----|------|------|-------------|
|-----|------|------|-------------|

|    |            |   |                            |
|----|------------|---|----------------------------|
| 1  | 770.032.00 | 1 | Crankcase set              |
| 2  | 756.090.00 | 2 | Pin dowel                  |
| 3  | 949.033.00 | 4 | Stud cylinder bolt         |
| 4  | 749.305.00 | 1 | Screw                      |
| 5  | 749.303.00 | 6 | Screw                      |
| 6  | 751.100.00 | 1 | Bearing                    |
| 7  | 724.048.00 | 1 | Oil plug                   |
| 8  | 749.304.00 | 4 | Screw                      |
| 9  | 953.018.00 | 1 | Oil seal                   |
| 10 | 753.204.00 | 1 | Gasket                     |
| 11 | 753.205.00 | 1 | Gasket                     |
| 12 | 753.206.00 | 1 | O-Ring                     |
| 13 | 749.321.00 | 1 | Bush                       |
| 14 | 931.001.00 | 1 | Protection                 |
| 15 | 749.310.00 | 4 | Screw                      |
| 16 | 753.105.00 | 1 | Gasket                     |
| 17 | 721.100.00 | 1 | Clutch cover               |
| 18 | 721.109.00 | 1 | Soundproofing clutch cover |
| 19 | 721.097.00 | 1 | Air conveyor               |
| 20 | 066.265.00 | 1 | Air filter                 |
| 21 | 724.094.00 | 1 | Soundproofing element      |
| 22 | 724.095.00 | 1 | Soundproofing element      |
| 23 | 724.096.00 | 1 | Soundproofing element      |
| 24 | 724.097.00 | 1 | Soundproofing element      |
| 25 | 724.098.00 | 1 | Soundproofing element      |





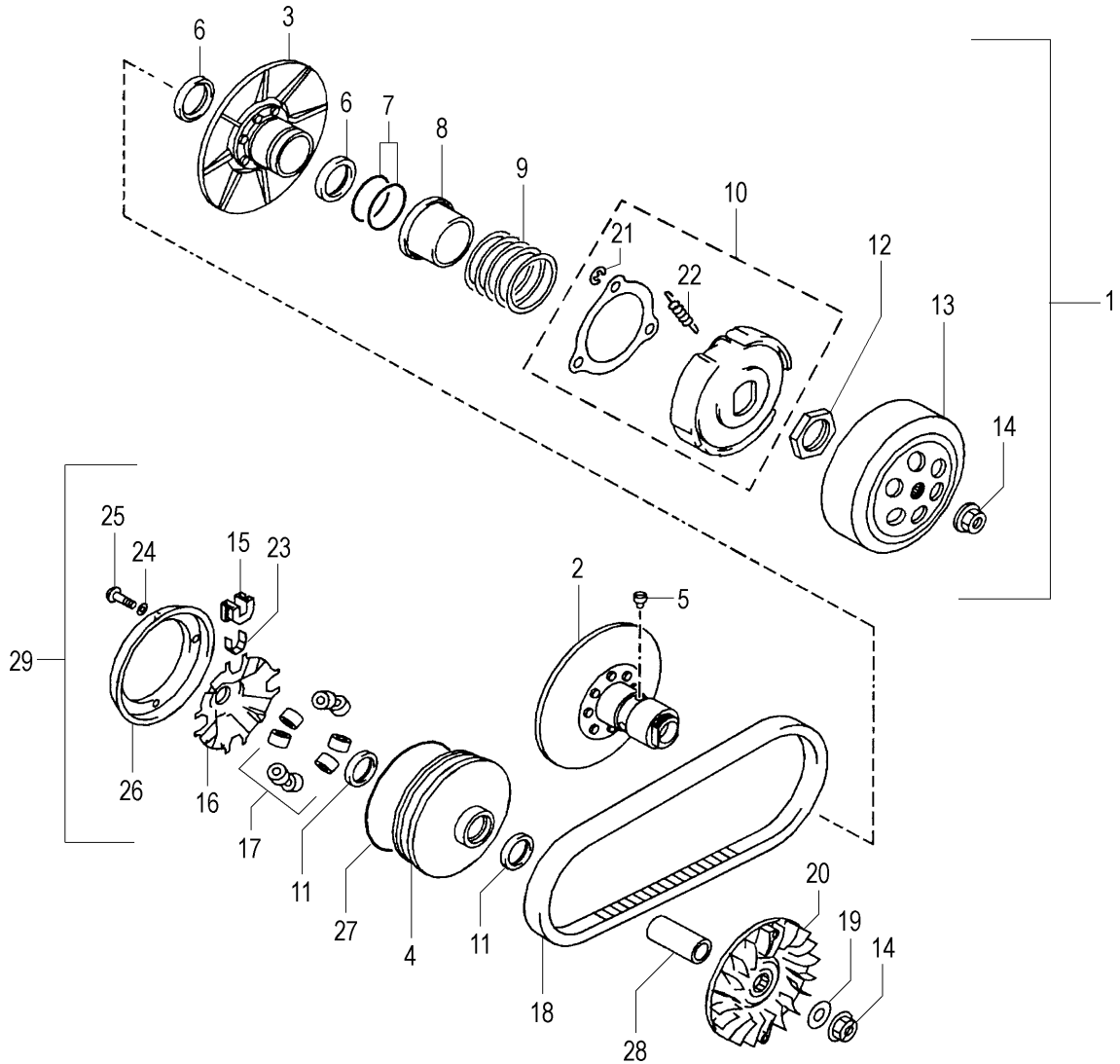


| Nr. | Codice | Q.tà | Descrizione |
|-----|--------|------|-------------|
|-----|--------|------|-------------|

|    |            |   |                        |
|----|------------|---|------------------------|
| 1  | 721.072.00 | 1 | Coperchio filtro olio  |
| 2  | 953.016.00 | 1 | O-Ring                 |
| 3  | 964.002.00 | 1 | Filtro olio            |
| 4  | 953.015.00 | 1 | Guarnizione pompa olio |
| 5  | 764.016.00 | 1 | Pompa olio completa    |
| 6  | 749.340.00 | 2 | Vite pompa olio        |
| 7  | 946.003.00 | 1 | Molla filtro olio      |
| 8  | 740.189.00 | 1 | Ingranaggio pompa olio |
| 9  | 756.119.00 | 2 | Rullino pompa olio     |
| 10 | 756.120.00 | 1 | Rullino pompa olio     |
| 11 | 749.326.00 | 1 | Rondella               |
| 12 | 703.048.00 | 1 | Seeger                 |

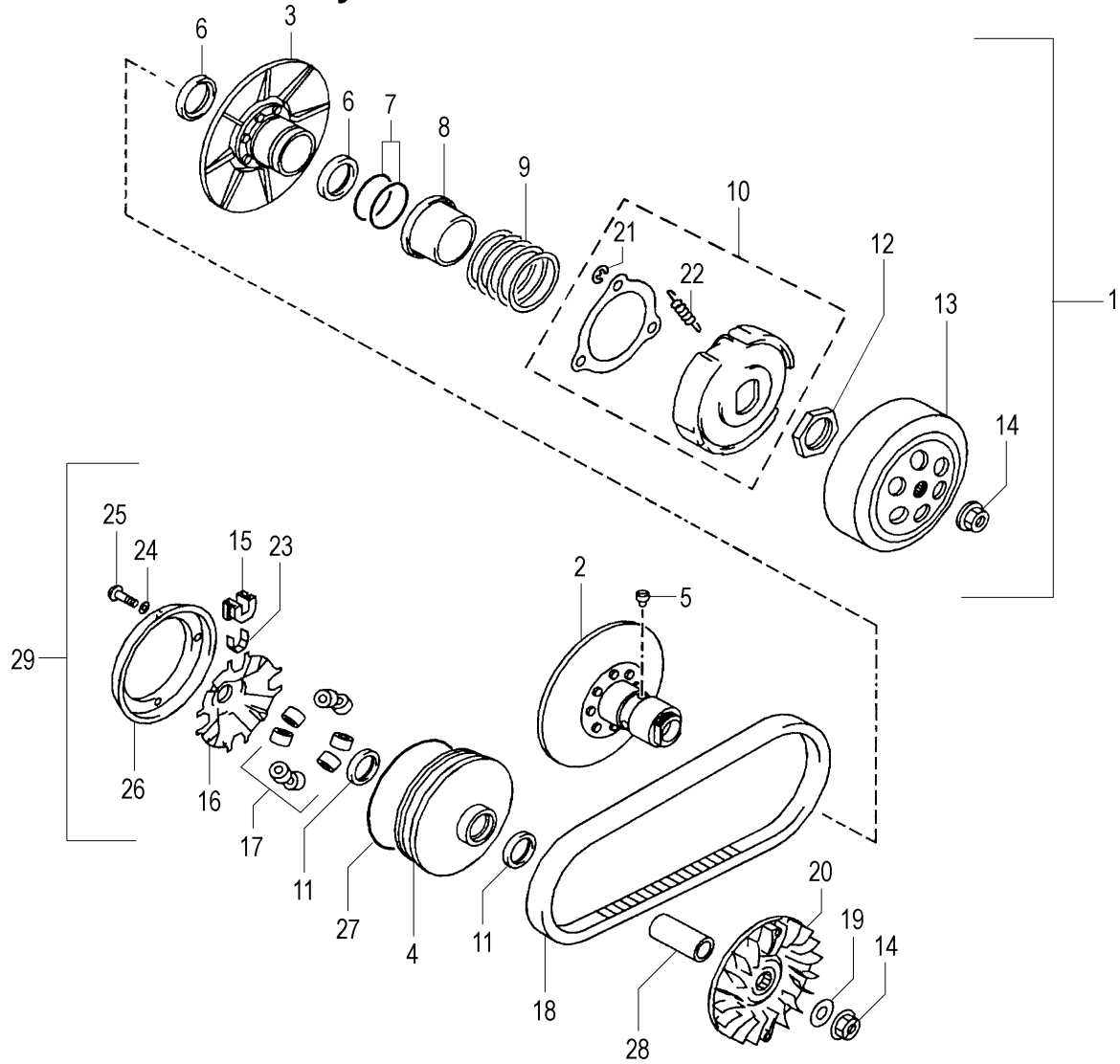
| Nr. | Code | Q.ty | Description |
|-----|------|------|-------------|
|-----|------|------|-------------|

|    |            |   |                  |
|----|------------|---|------------------|
| 1  | 721.072.00 | 1 | Oil filter cover |
| 2  | 953.016.00 | 1 | O-Ring           |
| 3  | 964.002.00 | 1 | Oil filter       |
| 4  | 953.015.00 | 1 | Gasket           |
| 5  | 764.016.00 | 1 | Oil pump assy    |
| 6  | 749.340.00 | 2 | Screw            |
| 7  | 946.003.00 | 1 | Spring           |
| 8  | 740.189.00 | 1 | Oil pump gear    |
| 9  | 756.119.00 | 2 | Pin dowel        |
| 10 | 756.120.00 | 1 | Pin dowel        |
| 11 | 749.326.00 | 1 | Washer           |
| 12 | 703.048.00 | 1 | Seeger           |



| Nr. | Codice     | Q.tà | Descrizione                         |
|-----|------------|------|-------------------------------------|
| 1   | 726.074.00 | 1    | Gruppo variatore posteriore         |
| 2   | 926.011.00 | 1    | Puleggia secondaria fissa           |
| 3   | 926.012.00 | 1    | Puleggia secondaria mobile          |
| 4   | 726.070.00 | 1    | Puleggia anteriore mobile           |
| 5   | 756.093.00 | 4    | Rullino guida puleggia              |
| 6   | 753.152.00 | 2    | Paraolio puleggia secondaria        |
| 7   | 953.031.00 | 2    | Anello tenuta puleggia secondaria   |
| 8   | 926.013.00 | 1    | Scodellino portamolla lato puleggia |
| 9   | 946.004.00 | 1    | Molla contrasto variatore           |
| 10  | 735.043.00 | 1    | Frizione centrifuga completa        |
| 11  | 753.189.00 | 2    | Paraolio puleggia anteriore         |
| 12  | 749.231.00 | 1    | Dado fissaggio frizione             |
| 13  | 726.079.00 | 1    | Campana frizione                    |
| 14  | 949.040.00 | 2    | Dado campana frizione - puleggia    |
| 15  | 724.082.00 | 4    | Tassello scorrevole                 |
| 16  | 926.008.00 | 1    | Cappellotto porta rulli             |
| 17  | 756.115.00 | 1    | Serie masse centrifughe (8 pz.)     |
| 18  | 717.011.00 | 1    | Cinghia trasmissione                |
| 19  | 949.044.00 | 1    | Rondella puleggia anteriore fissa   |
| 20  | 726.063.00 | 1    | Puleggia anteriore fissa            |
| 21  | 703.031.00 | 3    | Seeger                              |
| 22  | 746.056.00 | 3    | Molla richiamo ceppi frizione       |
| 23  | 726.071.00 | 4    | Piastra tassello scorrevole         |
| 24  | 749.309.00 | 4    | Rondella cuffia ritegno             |
| 25  | 749.302.00 | 4    | Vite cuffia ritegno                 |

| Nr. | Code       | Q.ty | Description                      |
|-----|------------|------|----------------------------------|
| 1   | 726.074.00 | 1    | Variable transmission clutch set |
| 2   | 926.011.00 | 1    | Secondary fixed pulley           |
| 3   | 926.012.00 | 1    | Secondary pulley                 |
| 4   | 726.070.00 | 1    | Primary pulley                   |
| 5   | 756.093.00 | 4    | Pulley guide pin                 |
| 6   | 753.152.00 | 2    | Oil seal                         |
| 7   | 953.031.00 | 2    | Gasket                           |
| 8   | 926.013.00 | 1    | Spring holder cup                |
| 9   | 946.004.00 | 1    | Spring                           |
| 10  | 735.043.00 | 1    | Clutch assy                      |
| 11  | 753.189.00 | 2    | Oil seal                         |
| 12  | 749.231.00 | 1    | Nut                              |
| 13  | 726.079.00 | 1    | Clutch housing                   |
| 14  | 949.040.00 | 2    | Nut                              |
| 15  | 724.082.00 | 4    | Dowel                            |
| 16  | 926.008.00 | 1    | Housing cap                      |
| 17  | 756.115.00 | 1    | Centrifugal rollers (8 pcs.)     |
| 18  | 717.011.00 | 1    | V-belt                           |
| 19  | 949.044.00 | 1    | Washer                           |
| 20  | 726.063.00 | 1    | Primary fixed pulley             |
| 21  | 703.031.00 | 3    | Seeger                           |
| 22  | 746.056.00 | 3    | Clutch spring                    |
| 23  | 726.071.00 | 4    | Dowel plate                      |
| 24  | 749.309.00 | 4    | Washer                           |
| 25  | 749.302.00 | 4    | Screw                            |

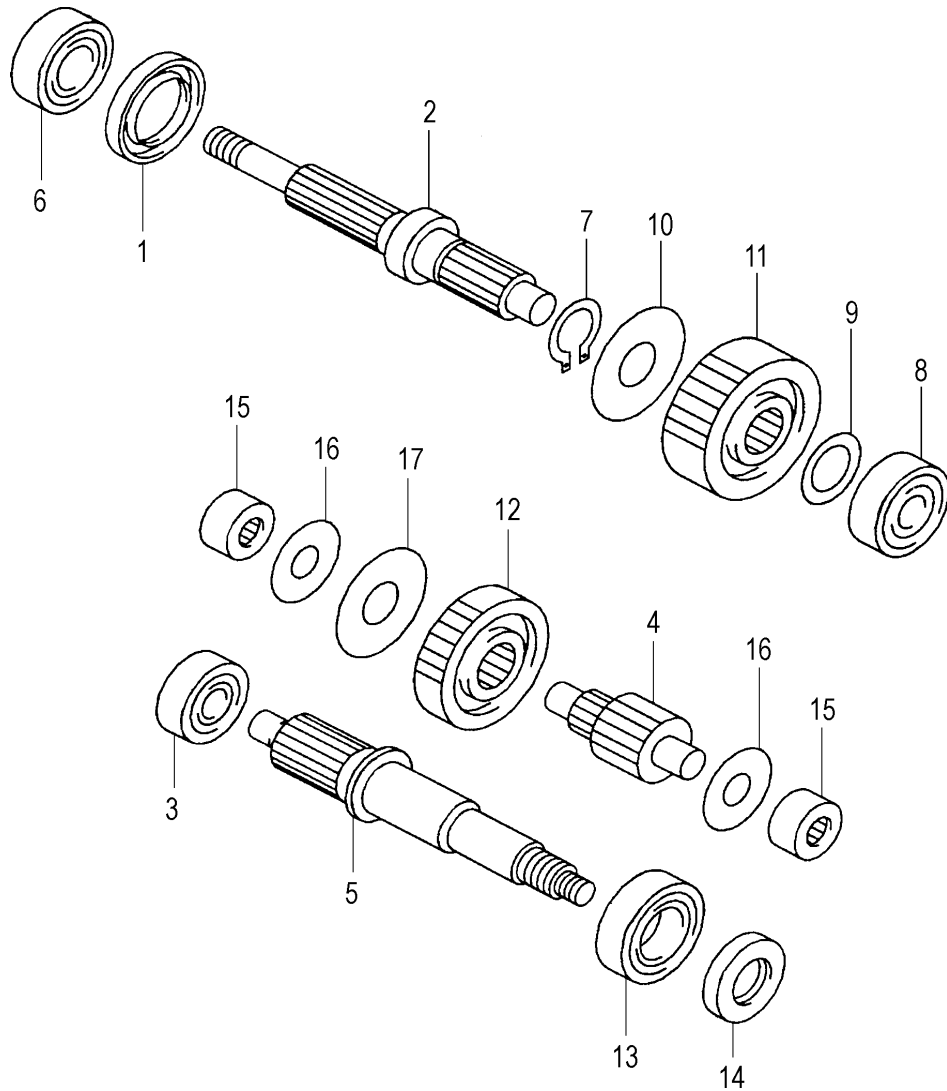


| Nr. | Codice | Q.tà | Descrizione |
|-----|--------|------|-------------|
|-----|--------|------|-------------|

| Nr. | Code | Q.ty | Description |
|-----|------|------|-------------|
|-----|------|------|-------------|

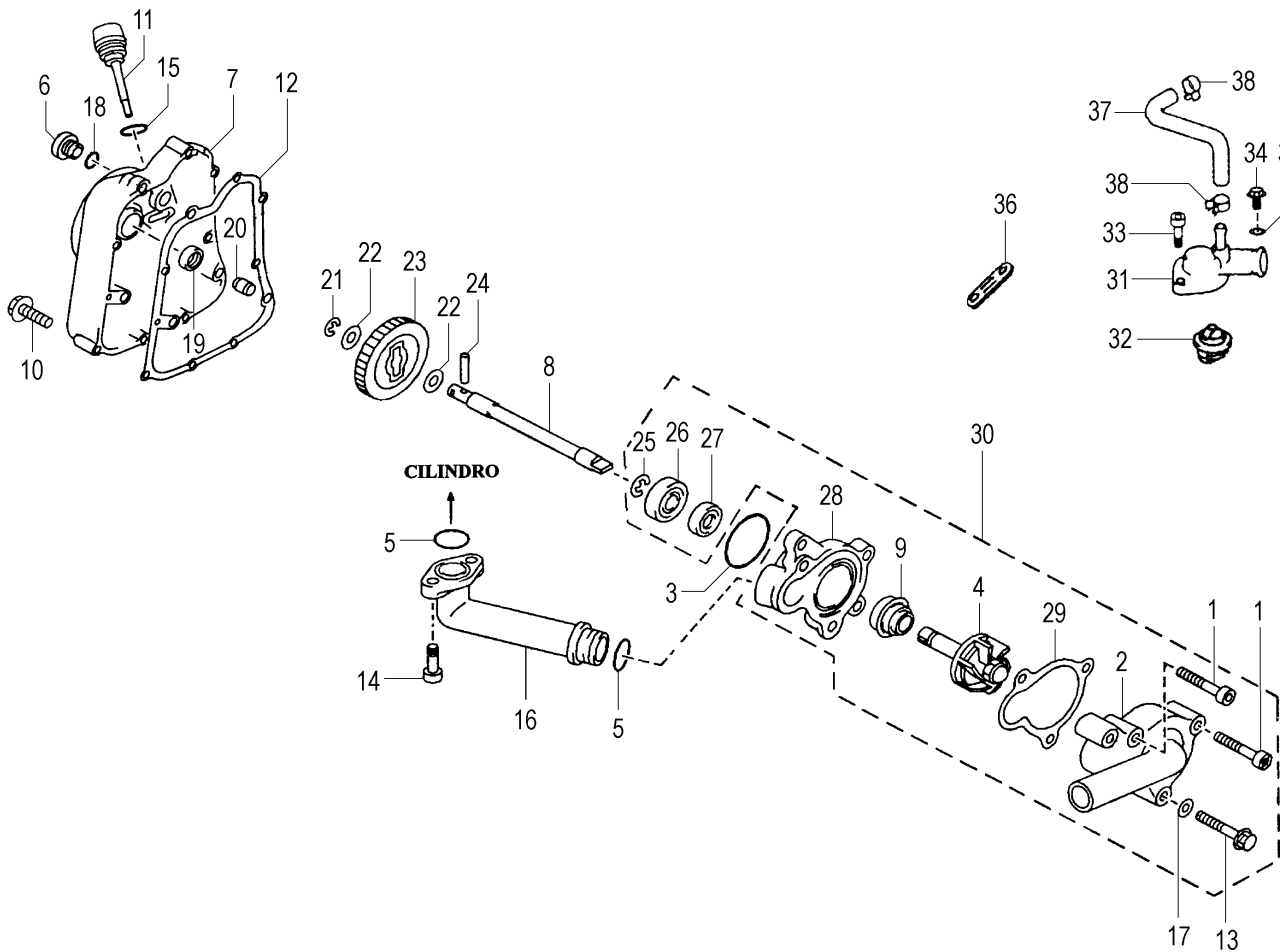
|    |            |   |                                    |
|----|------------|---|------------------------------------|
| 26 | 726.067.00 | 1 | Cuffia ritegno cappello tasselli   |
| 27 | 753.188.00 | 1 | O-Ring                             |
| 28 | 751.095.00 | 1 | Boccola scorrimento puleggia       |
| 29 | 726.072.00 | 1 | Puleggia anteriore mobile completa |

|    |            |   |                     |
|----|------------|---|---------------------|
| 26 | 726.067.00 | 1 | Housing cap stopper |
| 27 | 753.188.00 | 1 | O-Ring              |
| 28 | 751.095.00 | 1 | Bush                |
| 29 | 726.072.00 | 1 | Primary pulley assy |



| Nr. | Codice     | Q.tà | Descrizione                           |
|-----|------------|------|---------------------------------------|
| 1   | 753.154.00 | 1    | Paraolio albero uscita moto           |
| 2   | 701.074.00 | 1    | Albero uscita moto                    |
| 3   | 751.096.00 | 1    | Cuscinetto albero puleggia            |
| 4   | 701.076.00 | 1    | Ingranaggio doppio intermedio         |
| 5   | 701.075.00 | 1    | Albero puleggia                       |
| 6   | 751.077.00 | 1    | Cuscinetto albero uscita moto         |
| 7   | 703.033.00 | 1    | Seeger                                |
| 8   | 751.076.00 | 1    | Cuscinetto albero uscita moto         |
| 9   | 949.047.00 | 1    | Rondella                              |
| 10  | 749.316.00 | 1    | Molla a disco                         |
| 11  | 740.190.00 | 1    | Ingranaggio albero uscita moto        |
| 12  | 740.191.00 | 1    | Ingranaggio intermedio                |
| 13  | 751.082.00 | 1    | Cuscinetto albero puleggia            |
| 14  | 753.165.00 | 1    | Paraolio albero puleggia              |
| 15  | 751.099.00 | 2    | Gabbia a rulli ingranaggio intermedio |
| 16  | 949.046.00 | 2    | Rondella                              |
| 17  | 749.315.00 | 1    | Molla a disco                         |

| Nr. | Code       | Q.ty | Description         |
|-----|------------|------|---------------------|
| 1   | 753.154.00 | 1    | Oil seal            |
| 2   | 701.074.00 | 1    | Drive shaft assy    |
| 3   | 751.096.00 | 1    | Bearing             |
| 4   | 701.076.00 | 1    | Idle gear assy      |
| 5   | 701.075.00 | 1    | Primary drive shaft |
| 6   | 751.077.00 | 1    | Bearing             |
| 7   | 703.033.00 | 1    | Circlip             |
| 8   | 751.076.00 | 1    | Bearing             |
| 9   | 949.047.00 | 1    | Washer              |
| 10  | 749.316.00 | 1    | Spring              |
| 11  | 740.190.00 | 1    | Drive shaft gear    |
| 12  | 740.191.00 | 1    | Idle gear           |
| 13  | 751.082.00 | 1    | Bearing             |
| 14  | 753.165.00 | 1    | Oil seal            |
| 15  | 751.099.00 | 2    | Roller bearing      |
| 16  | 949.046.00 | 2    | Washer              |
| 17  | 749.315.00 | 1    | Spring              |

**Coperchio volano & pompa acqua**
**Magneto flywheel cover & water pump**


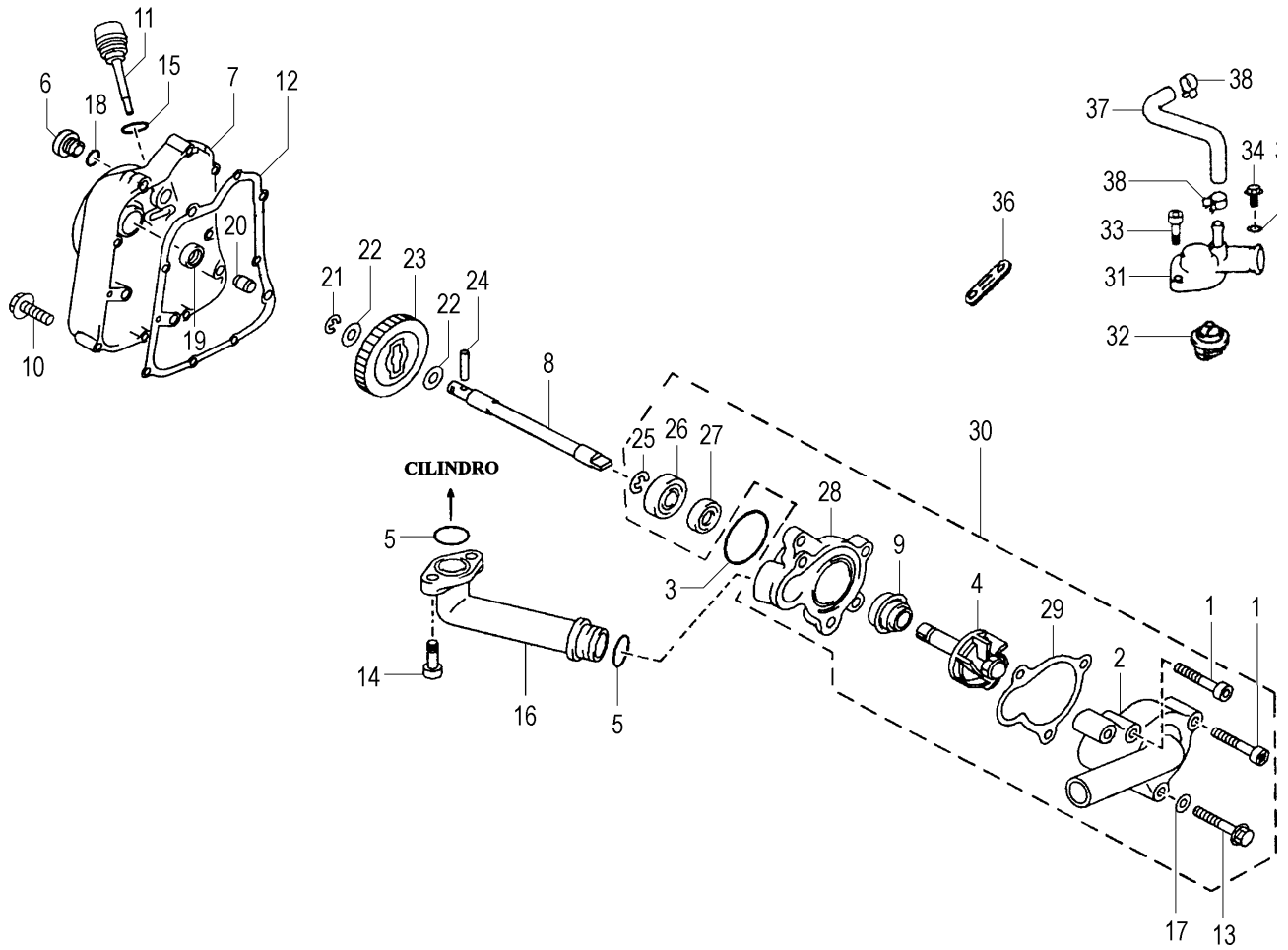
| Nr. | Codice     | Q.tà | Descrizione                  |
|-----|------------|------|------------------------------|
| 1   | 749.355.00 | 2    | Vite coperchio pompa acqua   |
| 2   | 760.078.00 | 1    | Coperchio pompa acqua        |
| 3   | 953.013.00 | 1    | O - Ring                     |
| 4   | 756.117.00 | 1    | Girante pompa acqua          |
| 5   | 953.014.00 | 2    | O - Ring                     |
| 6   | 724.089.00 | 1    | Tappo fasatura volano        |
| 7   | 721.106.00 | 1    | Coperchio volano             |
| 8   | 756.123.00 | 1    | Albero rinvio pompa acqua    |
| 9   | 753.207.00 | 1    | Tenuta pompa acqua           |
| 10  | 749.308.00 | 10   | Vite coperchio volano        |
| 11  | 924.014.00 | 1    | Tappo asta livello olio      |
| 12  | 953.024.00 | 1    | Guarnizione coperchio volano |
| 13  | 749.331.00 | 1    | Vite coperchio pompa acqua   |
| 14  | 749.312.00 | 2    | Vite tubo acqua              |
| 15  | 953.026.00 | 1    | O-Ring livello olio          |
| 16  | 924.004.00 | 1    | Tubo acqua pompa - cilindro  |
| 17  | 749.225.00 | 2    | Rondella pompa acqua         |
| 18  | 753.047.00 | 1    | O-Ring tappo fasatura volano |
| 19  | 953.025.00 | 1    | Paraolio carter volano       |
| 20  | 756.090.00 | 4    | Grano riferimento carter     |
| 21  | 903.006.00 | 1    | Seeger albero rinvio         |
| 22  | 749.120.00 | 2    | Rondella ingranaggio pompa   |
| 23  | 940.002.00 | 1    | Ingranaggio pompa acqua      |
| 24  | 756.024.00 | 1    | Rullo ingranaggio            |
| 25  | 703.050.00 | 1    | Seeger pompa acqua           |

| Nr. | Code       | Q.ty | Description                      |
|-----|------------|------|----------------------------------|
| 1   | 749.355.00 | 2    | Screw                            |
| 2   | 760.078.00 | 1    | Water pump cover                 |
| 3   | 953.013.00 | 1    | O - Ring                         |
| 4   | 756.117.00 | 1    | Water pump impeller              |
| 5   | 953.014.00 | 2    | O - Ring                         |
| 6   | 724.089.00 | 1    | Plug                             |
| 7   | 721.106.00 | 1    | Magneto flywheel cover           |
| 8   | 756.123.00 | 1    | Water pump shaft                 |
| 9   | 753.207.00 | 1    | Ring                             |
| 10  | 749.308.00 | 10   | Screw                            |
| 11  | 924.014.00 | 1    | Oil level plug                   |
| 12  | 953.024.00 | 1    | Flywheel cover gasket            |
| 13  | 749.331.00 | 1    | Screw                            |
| 14  | 749.312.00 | 2    | Screw                            |
| 15  | 953.026.00 | 1    | O-Ring                           |
| 16  | 924.004.00 | 1    | Water pump - cylinder water pipe |
| 17  | 749.225.00 | 1    | Washer                           |
| 18  | 753.047.00 | 1    | O-Ring                           |
| 19  | 953.025.00 | 1    | Oil seal                         |
| 20  | 756.090.00 | 4    | Pin                              |
| 21  | 903.006.00 | 1    | Seeger                           |
| 22  | 749.120.00 | 2    | Washer                           |
| 23  | 940.002.00 | 1    | Water pump gear                  |
| 24  | 756.024.00 | 1    | Gear pin                         |
| 25  | 703.050.00 | 1    | Seeger                           |

# PASSWORD 250 Euro 3

## Coperchio volano & pompa acqua

### Magneto flywheel cover & water pump

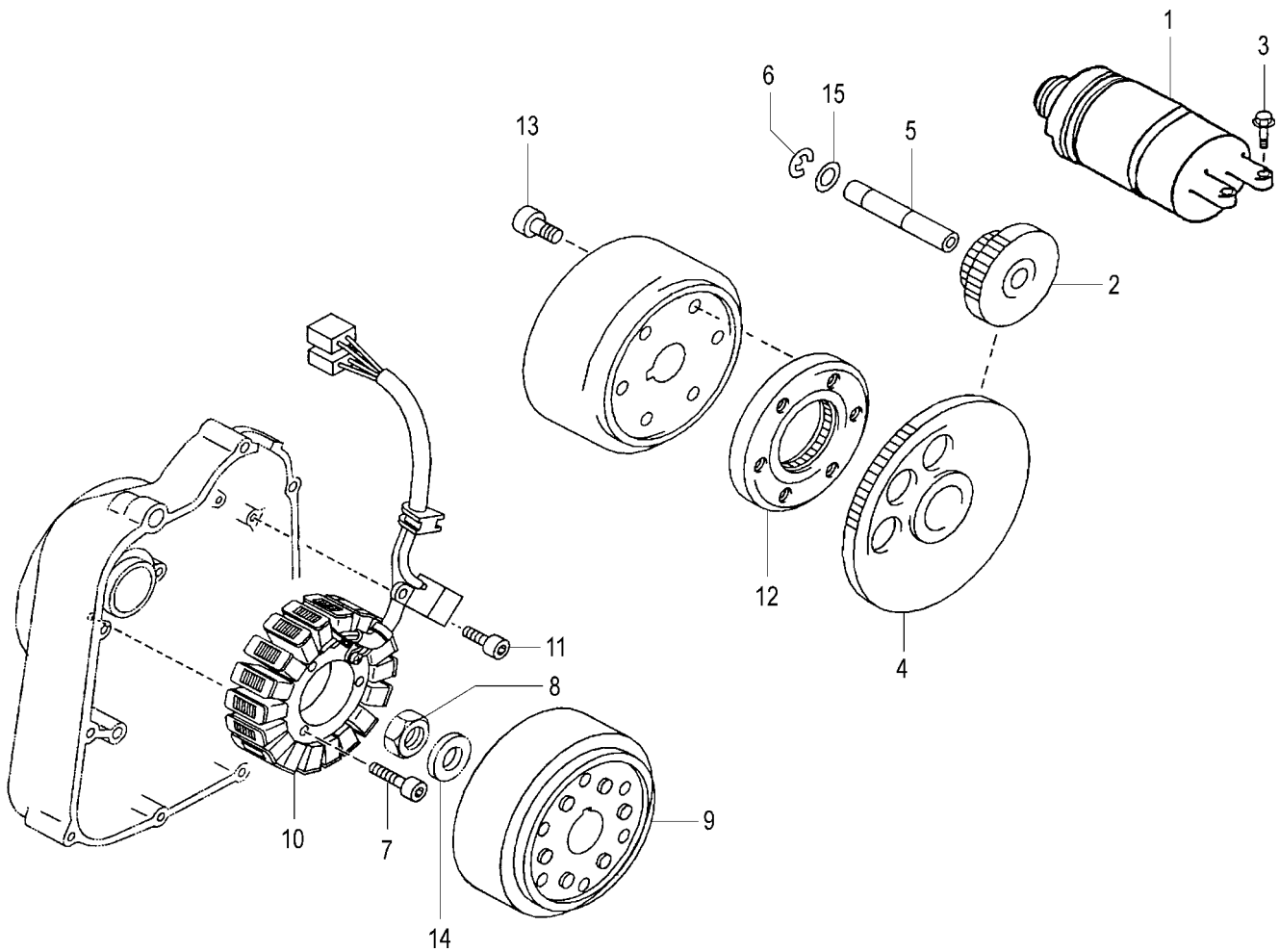


| Nr. | Codice | Q.tà | Descrizione |
|-----|--------|------|-------------|
|-----|--------|------|-------------|

|    |            |   |                               |
|----|------------|---|-------------------------------|
| 26 | 751.101.00 | 1 | Cuscinetto pompa acqua        |
| 27 | 953.011.00 | 1 | Paraolio pompa acqua          |
| 28 | 760.082.00 | 1 | Corpo pompa acqua             |
| 29 | 953.010.00 | 1 | Guarnizione coperchio pompa   |
| 30 | 760.079.00 | 1 | Pompa acqua completa          |
| 31 | 721.107.00 | 1 | Coperchio termostato acqua    |
| 32 | 956.010.00 | 1 | Termostato acqua              |
| 33 | 749.311.00 | 2 | Vite coperchio termostato     |
| 34 | 749.329.00 | 1 | Vite coperchio termostato     |
| 35 | 949.043.00 | 1 | Rondella coperchio termostato |
| 36 | 749.227.00 | 1 | Fascetta                      |
| 37 | 724.102.00 | 1 | Tubo termostato acqua         |
| 38 | 749.317.00 | 2 | Fascetta                      |

| Nr. | Code | Q.ty | Description |
|-----|------|------|-------------|
|-----|------|------|-------------|

|    |            |   |                  |
|----|------------|---|------------------|
| 26 | 751.101.00 | 1 | Bearing          |
| 27 | 953.011.00 | 1 | Oil seal         |
| 28 | 760.082.00 | 1 | Water pump body  |
| 29 | 953.010.00 | 1 | Gasket           |
| 30 | 760.079.00 | 1 | Water pump assy  |
| 31 | 721.107.00 | 1 | Thermostat cover |
| 32 | 956.010.00 | 1 | Thermostat       |
| 33 | 749.311.00 | 2 | Screw            |
| 34 | 749.329.00 | 1 | Screw            |
| 35 | 949.043.00 | 1 | Washer           |
| 36 | 749.227.00 | 1 | Clamp            |
| 37 | 724.102.00 | 1 | Water pipe       |
| 38 | 749.317.00 | 2 | Clamp            |



| Nr. | Codice     | Q.tà | Descrizione                          |
|-----|------------|------|--------------------------------------|
| 1   | 748.005.00 | 1    | Motorino avviamento                  |
| 2   | 740.186.00 | 1    | Ingranaggio doppio intermedio        |
| 3   | 749.307.00 | 2    | Bullone fissaggio motorino           |
| 4   | 740.187.00 | 1    | Ingranaggio ruota libera             |
| 5   | 901.003.00 | 1    | Albero ingranaggio doppio intermedio |
| 6   | 703.045.00 | 1    | Seeger                               |
| 7   | 749.352.00 | 3    | Vite fissaggio statore               |
| 8   | 749.325.00 | 1    | Dado fissaggio volano                |
| 9   | 782.031.00 | 1    | Rotore completo                      |
| 10  | 782.030.00 | 1    | Statore completo                     |
| 11  | 749.330.00 | 2    | Vite captatore                       |
| 12  | 940.006.00 | 1    | Ruota libera completa                |
| 13  | 749.354.00 | 3    | Vite volano - corona avviamento      |
| 14  | 949.009.00 | 1    | Rondella fissaggio volano            |
| 15  | 949.038.00 | 1    | Rondella albero ingranaggio doppio   |

| Nr. | Code       | Q.ty | Description        |
|-----|------------|------|--------------------|
| 1   | 748.005.00 | 1    | Starter motor assy |
| 2   | 740.186.00 | 1    | Idle gear assy     |
| 3   | 749.307.00 | 2    | Starter motor bolt |
| 4   | 740.187.00 | 1    | Starter gear assy  |
| 5   | 901.003.00 | 1    | Idle gear shaft    |
| 6   | 703.045.00 | 1    | Seeger             |
| 7   | 749.352.00 | 3    | Screw              |
| 8   | 749.325.00 | 1    | Nut                |
| 9   | 782.031.00 | 1    | Rotor assy         |
| 10  | 782.030.00 | 1    | Stator assy        |
| 11  | 749.330.00 | 2    | Screw              |
| 12  | 940.006.00 | 1    | Free wheel assy    |
| 13  | 749.354.00 | 3    | Screw              |
| 14  | 949.009.00 | 1    | Washer             |
| 15  | 949.038.00 | 1    | Washer             |